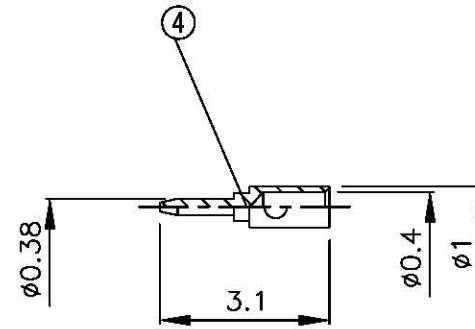
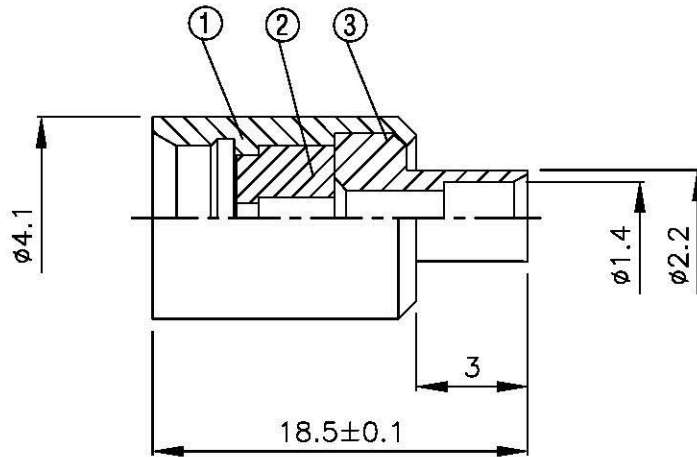
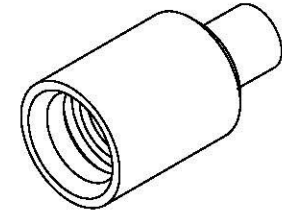
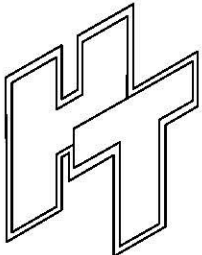



NO	DESCRIPTION	MATERIAL	Q'TY	FINISH	REMARK
1	BODY 1	BRASS	1	GOLD	B-MMS0781-G
2	INSULATION 1	TEFLON	1	TEFLON	I-0377T
3	BODY 1	BRASS	1	GOLD	B-MMS0784-G
4	PIN	PH.BRONZE	1	GOLD	P-MMS0548-G



		DRAWN MARY DATE 93.09.17	DIMENSIONS ARE IN MILLIMETERS		REVISION		
	<small>www.allconnectors.de Tel: +0049 211 200501 50794 Düsseldorf - Germany</small>	<small>Info@allconnectors.de Fax: +0049 211 200508 Kettnerstr. 25</small>	CHECKED 馮健華 DATE	UNLESS OTHERWISE SPECIFIED TOLERANCE 0.5-5=±0.2 120-315=±1 5-30=±0.4 315-1000=±1.6 30-120±0.6 1000-2000=±2.4		DESCRIPTION	ENGINEER
	TITLE MSM MALE STRAIGHT SOLDER TYPE FOR (.047)		Q.A. 黃俊銘 DATE				
	PART NO. MSM-02V3-TGG		APPROVAL 陳福貴 DATE	SCALE 4:1	SIZE A		
	DRAWING NO. MSM 02V3-TGG		REVISION	DATE			