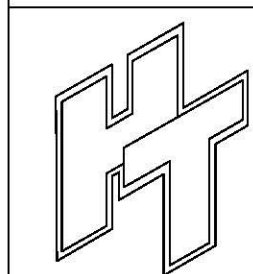
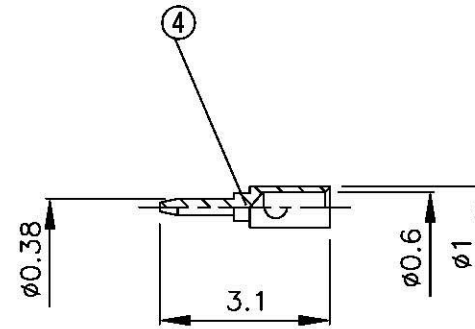
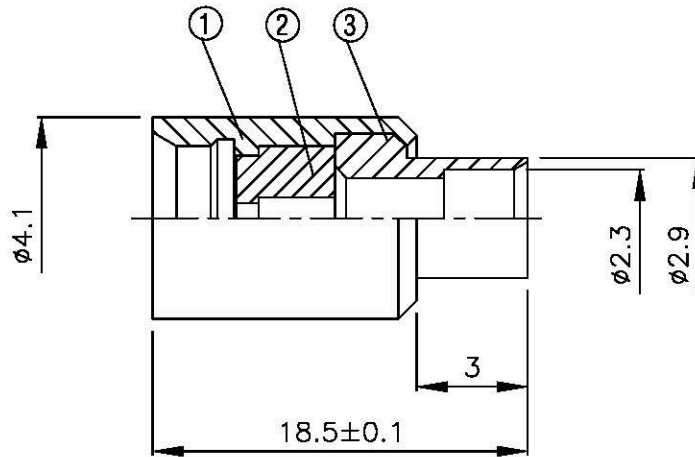
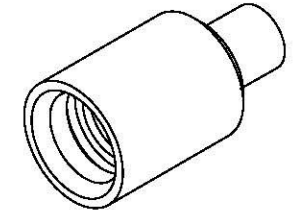


NO	DESCRIPTION	MATERIAL	Q'TY	FINISH	REMARK
1	BODY 1	BRASS	1	GOLD	B-MMS0781-G
2	INSULATION 1	TEFLON	1	TEFLON	I-0377T
3	BODY 1	BRASS	1	GOLD	B-MMS0783-G
4	PIN	PH.BRONZE	1	GOLD	P-MMS0547-G



**Allconnectors**

www.allconnectors.de info@allconnectors.de  
Tel.: 0049 711 7009505 Fax: 0049 711 7009504  
70758 Rillderstadt - Germany Rillderstr. 25

TITLE MSM MALE STRAIGHT SOLDER  
TYPE FOR RG-405 (.085)

PART NO. MSM-02V1-TGG

DRAWING NO. MSM 02V1-TGG

DRAWN MARY DATE 93.09.17

CHECKED 馮健華 DATE

Q.A. 黃俊銘 DATE

APPROVAL 陳福貴 DATE

REVISION DATE

DIMENSIONS ARE IN MILLIMETERS

UNLESS OTHERWISE SPECIFIED  
TOLERANCE

0.5-5=±0.2	120-315=±1
5-30=±0.4	315-1000=±1.6
30-120±0.6	1000-2000=±2.4

SCALE 4:1 SIZE A

REVISION

DESCRIPTION	ENGINEER