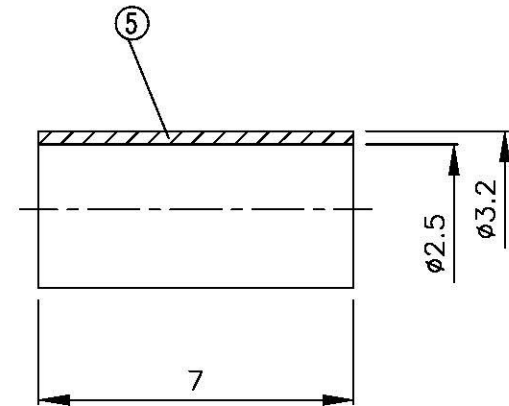
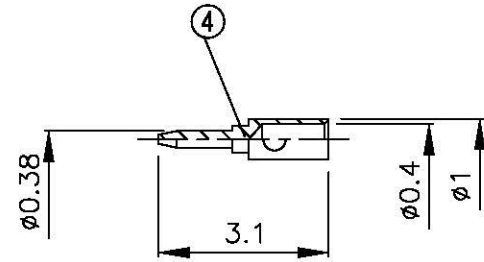
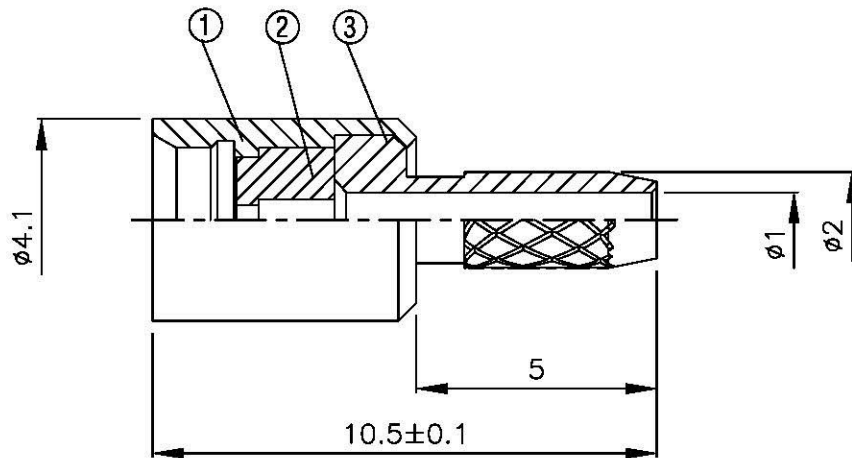
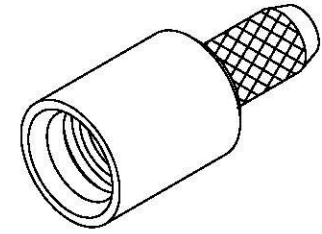
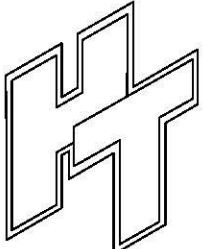






NO	DESCRIPTION	MATERIAL	Q'TY	FINISH	REMARK
1	BODY 1	BRASS	1	NICKEL	B-MMS0781-N
2	INSULATION 1	TEFLON	1	TEFLON	I-0377T
3	BODY 1	BRASS	1	NICKEL	B-MMS0782-N
4	PIN	PH.BRONZE	1	GOLD	P-MMS0548-G
5	RING	BRASS	1	NICKEL	R-0025-N



		DRAWN	MARY	DATE	96.07.09	DIMENSIONS ARE IN MILLIMETERS		REVISION		
	<small>www.allconnectors.de Tel: +49 4103 713 2000-10 20794 Filderstadt Germany</small>	<small>Info@allconnectors.de Fax: +49 4103 713 2000-10 Kraftwerkstr. 25</small>	CHECKED		DATE					
	TITLE		Q.A.		DATE		0.5-5=±0.2	120-315=±1		
	PART NO.		APPROVAL		DATE		5-30=±0.4	315-1000=±1.6		
	DRAWING NO.		REVISION		DATE		30-120±0.6	1000-2000=±2.4		
						SCALE	4:1	SIZE	A	

D

D

C

C

B

B

A

A

4

3

2

1