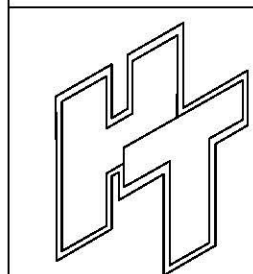
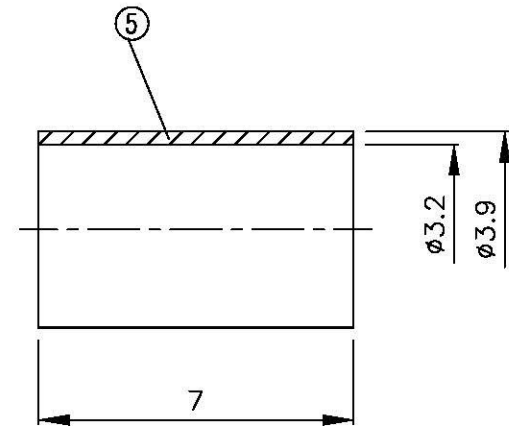
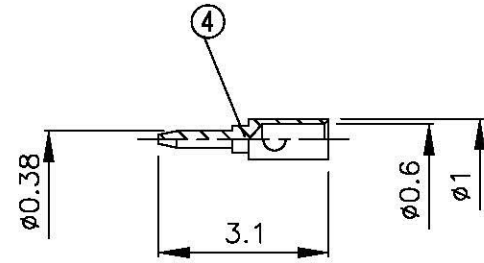
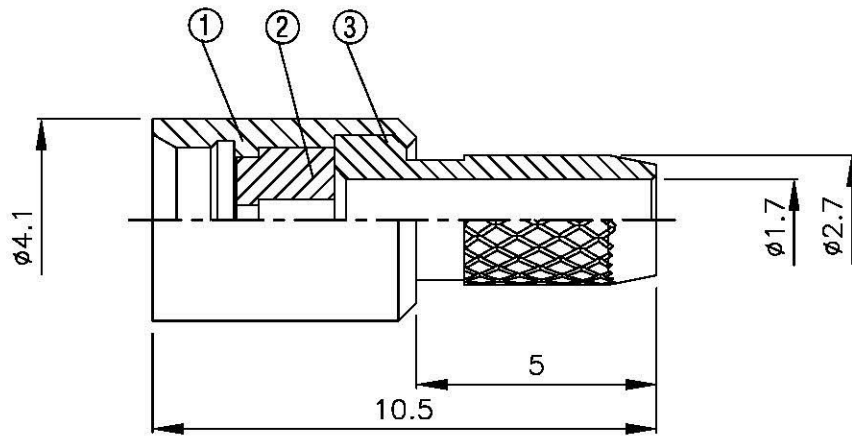
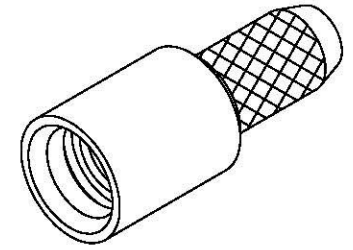


NO	DESCRIPTION	MATERIAL	Q'TY	FINISH	REMARK
1	BODY 1	BRASS	1	NICKEL	B-MMS0781-N
2	INSULATION 1	TEFLON	1	TEFLON	I-0377T
3	BODY 1	BRASS	1	NICKEL	B-MMS0780-N
4	PIN	PH.BRONZE	1	GOLD	P-MMS0547-G
5	RING	BRASS	NICKEL	R-0001-N	



All Connectors

www.allconnectors.de
Tel: 0049 711 7005003
70794 Ulm/Leicht - Germany

Info@allconnectors.de
Fax: 0049 711 7005004
Kettenerstr. 25

TITLE MSM MALE STRAIGHT CRIMP
TYPE FOR RG-174/U

PART NO. MSM-02LV1-TGN

DRAWING NO. MSM 02LV1 TGN

DRAWN MARY DATE 96.07.09

CHECKED 蘇志欣 DATE

Q.A. 蘇姿潔 DATE

APPROVAL 徐燦霖 DATE

REVISION DATE

DIMENSIONS ARE IN MILLIMETERS

UNLESS OTHERWISE SPECIFIED
TOLERANCE

0.5-5=±0.2	120-315=±1
5-30=±0.4	315-1000=±1.6
30-120±0.6	1000-2000=±2.4

SCALE 4:1 SIZE A

REVISION

DESCRIPTION	ENGINEER