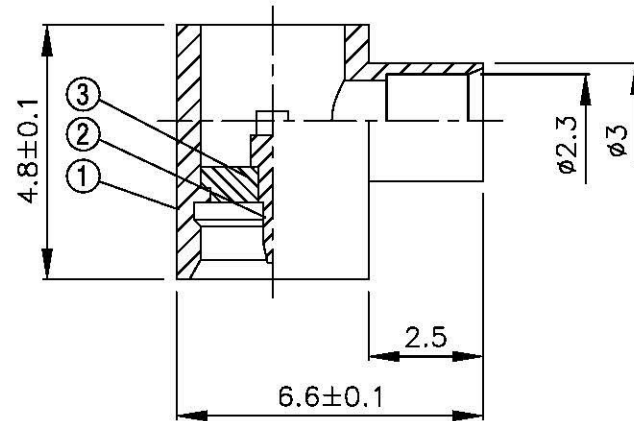
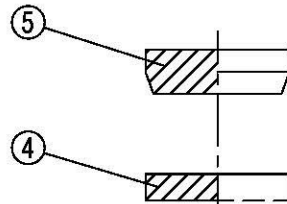
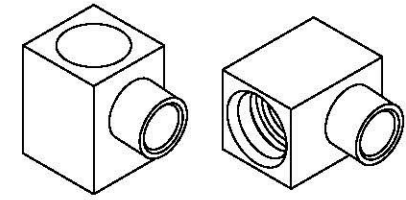
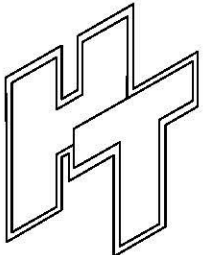



NO	DESCRIPTION	MATERIAL	Q'TY	FINISH	REMARK
1	BODY 1	BRASS	1	GOLD	B-MMS0777-G
2	PIN	PH.BRONZE	1	GOLD	P-MMS0544-G
3	INSULATION 1	TEFLON	1	TEFLON	I-0373T
4	INSULATION 2	TEFLON	1	TEFLON	I-0374T
5	WASHER	BRASS	1	GOLD	W-0038-G



		DRAWN	MARY	DATE	93.09.03	DIMENSIONS ARE IN MILLIMETERS		REVISION		
	<small>www.allconnectors.de Tel: 0049 711 700204 70794 Fildefstadt Germany</small>	<small>Info@allconnectors.de Tel: 0049 711 700204 Kettelestr. 20</small>	CHECKED	馮健華	DATE		UNLESS OTHERWISE SPECIFIED TOLERANCE		DESCRIPTION	ENGINEER
	TITLE		Q.A.	黃俊銘	DATE				0.5-5=±0.2	120-315=±1
	PART NO.		APPROVAL	陳福貴	DATE		5-30=±0.4	315-1000=±1.6		
	DRAWING NO.		REVISION		DATE		30-120±0.6	1000-2000=±2.4		
						SCALE	4:1	SIZE	A	

D

D

C

C

B

B

A

A

4

3

2

1