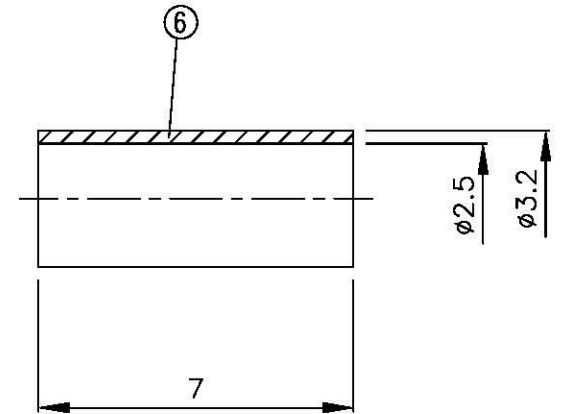
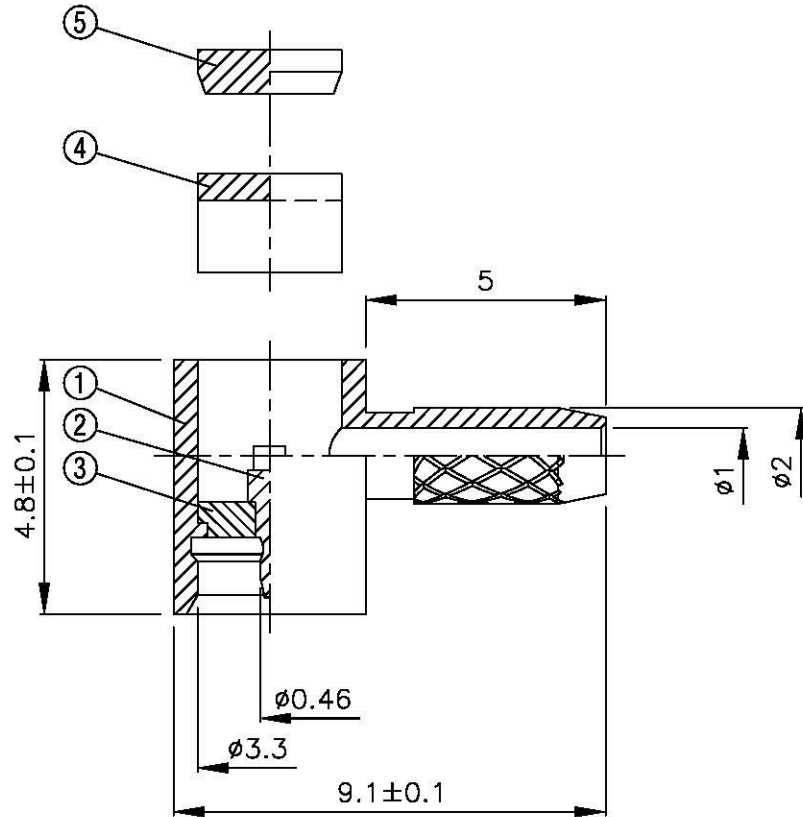
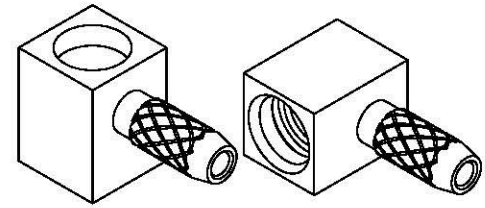
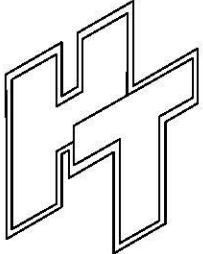



NO	DESCRIPTION	MATERIAL	Q'TY	FINISH	REMARK
1	BODY 1	BRASS	1	NICKEL	B-MMS0775-N
2	PIN	PH.BRONZE	1	GOLD	P-MMS0544-G
3	INSULATION 1	TEFLON	1	TEFLON	I-0373T
4	INSULATION 2	TEFLON	1	TEFLON	I-0374T
5	WASHER	BRASS	1	NICKEL	W-0038-N
6	RING	BRASS	NICKEL	R-0038-N	



		DRAWN MARY DATE 96.07.09	DIMENSIONS ARE IN MILLIMETERS		REVISION		
	<small>www.allconnectors.de info@allconnectors.de 70794 Ellersdorf, Germany</small>	<small>info@allconnectors.de fax: 07149 70 70904 811100510 25</small>	CHECKED 蘇志欣 DATE	UNLESS OTHERWISE SPECIFIED TOLERANCE 0.5-5=±0.2 120-315=±1 5-30=±0.4 315-1000=±1.6 30-120±0.6 1000-2000=±2.4		DESCRIPTION	ENGINEER
	TITLE MSM MALE RIGHT ANGLE TYPE FOR RG-178/U		Q.A. 蘇姿潔 DATE				
	PART NO. MSM-01M-TGN		APPROVAL 徐燦霖 DATE	SCALE 4:1	SIZE A		
	DRAWING NO. MSM 01M TGN		REVISION	DATE			