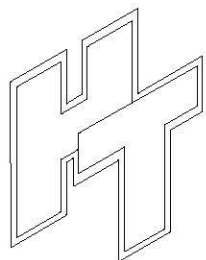
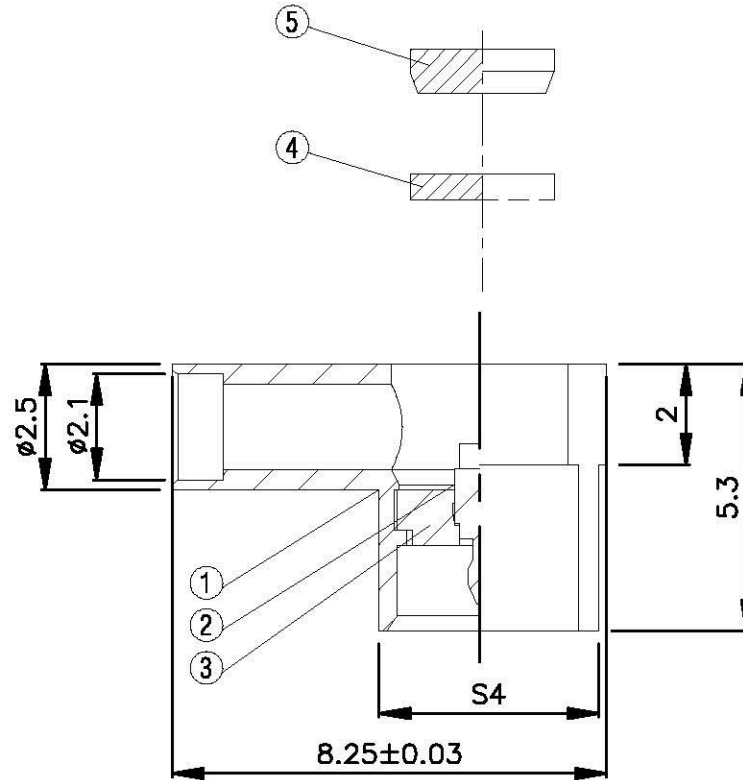
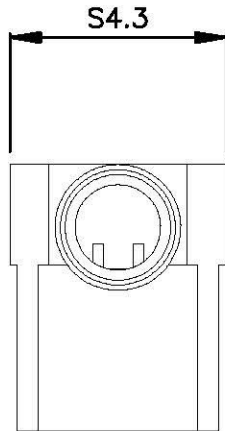
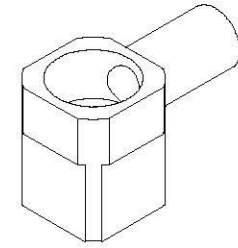


NO	DESCRIPTION	MATERIAL	Q'TY	FINISH	REMARK
1	BODY 1	BRASS	1	NICKEL	B-MMS0775-N
2	PIN	PH.BRONZE	1	GOLD	P-MMS0544-G
3	INSULATION 1	TEFLON	1	TEFLON	I-0373T
4	INSULATION 2	TEFLON	1	TEFLON	I-0374T
5	WASHER	BRASS	1	NICKEL	W-0038-N



**All Connectors**

www.allconnectors.de  
Tel: 0049 713 400504  
70724 Filderstadt - Germany

info@allconnectors.de  
Fax: 0049 713 400504  
Kreuzmühlstr. 25

TITLE MSM MALE RIGHT ANGLE  
TYPE FOR RG-178/U

PART NO. MSM-01M-TGN-1

DRAWING NO. MSM 01M TGN-1

DRAWN 蘇姿潔 DATE 98.10.02

CHECKED 蘇志欣 DATE 98.10.02

Q.A. 林妙禪 DATE

APPROVAL 徐煥霖 DATE

REVISION DATE

DIMENSIONS ARE IN MILLIMETERS

UNLESS OTHERWISE SPECIFIED  
TOLERANCE

0.5-5=±0.2	120-315=±1
5-30=±0.4	315-1000=±1.6
30-120±0.6	1000-2000=±2.4

SCALE 4:1 SIZE A

REVISION

DESCRIPTION	ENGINEER

D

D

C

C

B

B

A

A

4

3

2

1