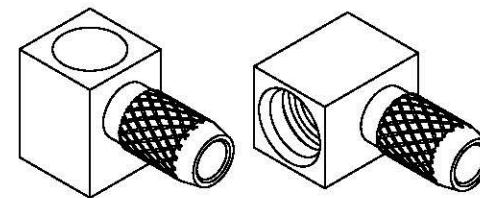
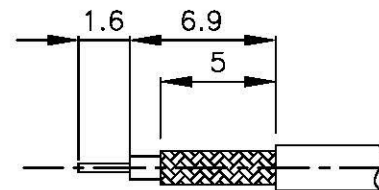
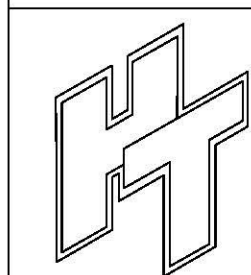
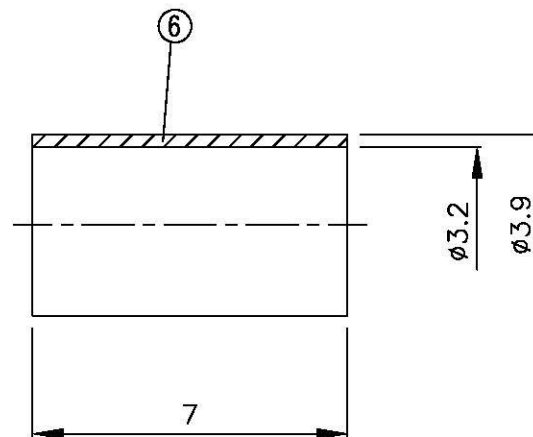
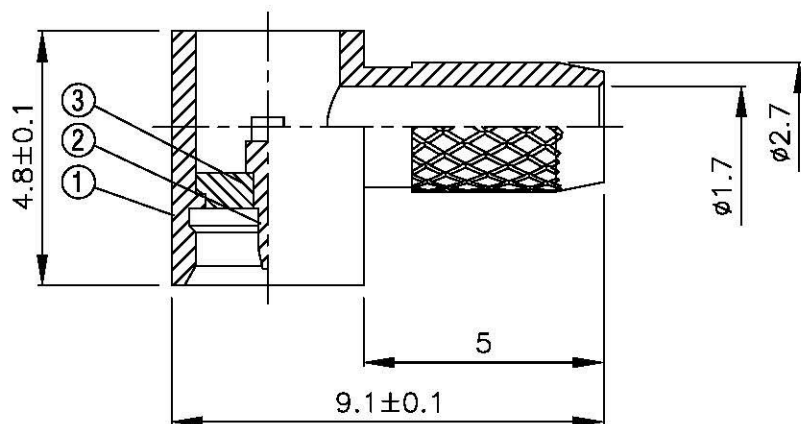
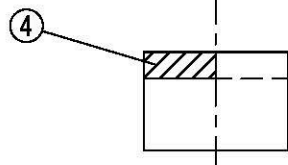
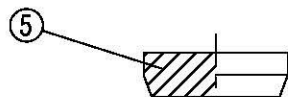


NO	DESCRIPTION	MATERIAL	Q'TY	FINISH	REMARK
1	BODY 1	BRASS	1	NICKEL	B-MMS0771-N
2	PIN	PH.BRONZE	1	GOLD	P-MMS0544-G
3	INSULATION 1	TEFLON	1	TEFLON	I-0373T
4	INSULATION 2	TEFLON	1	TEFLON	I-0374T
5	WASHER	BRASS	1	NICKEL	W-0038-N
6	RING	BRASS	1	NICKEL	R-0001-N



(Recommended Stripping Dimension)



All Connectors

www.allconnectors.de
Tel.: 0049 7143 7009503
92229 Ulm/Weilerbach - Germany

Info@allconnectors.de
Fax: 0049 7143 7009504
Retailers only, 2D

TITLE MSM MALE RIGHT ANGLE
TYPE FOR RG-174/U

PART NO. MSM-01LV1-TGN

DRAWING NO. MSM 01LV1 TGN

DRAWN MARY DATE 93.09.03

CHECKED 馮健華 DATE

Q.A. 黃俊銘 DATE

APPROVAL 陳福貴 DATE

REVISION DATE

DIMENSIONS ARE IN MILLIMETERS

UNLESS OTHERWISE SPECIFIED
TOLERANCE

0.5-5=±0.2 120-315=±1

5-30=±0.4 315-1000=±1.6

30-120±0.6 1000-2000=±2.4

SCALE 4:1 SIZE A

REVISION

DESCRIPTION ENGINEER