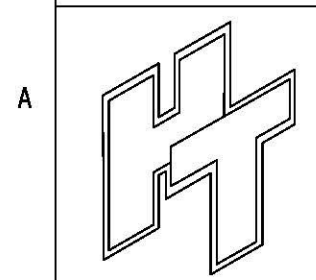
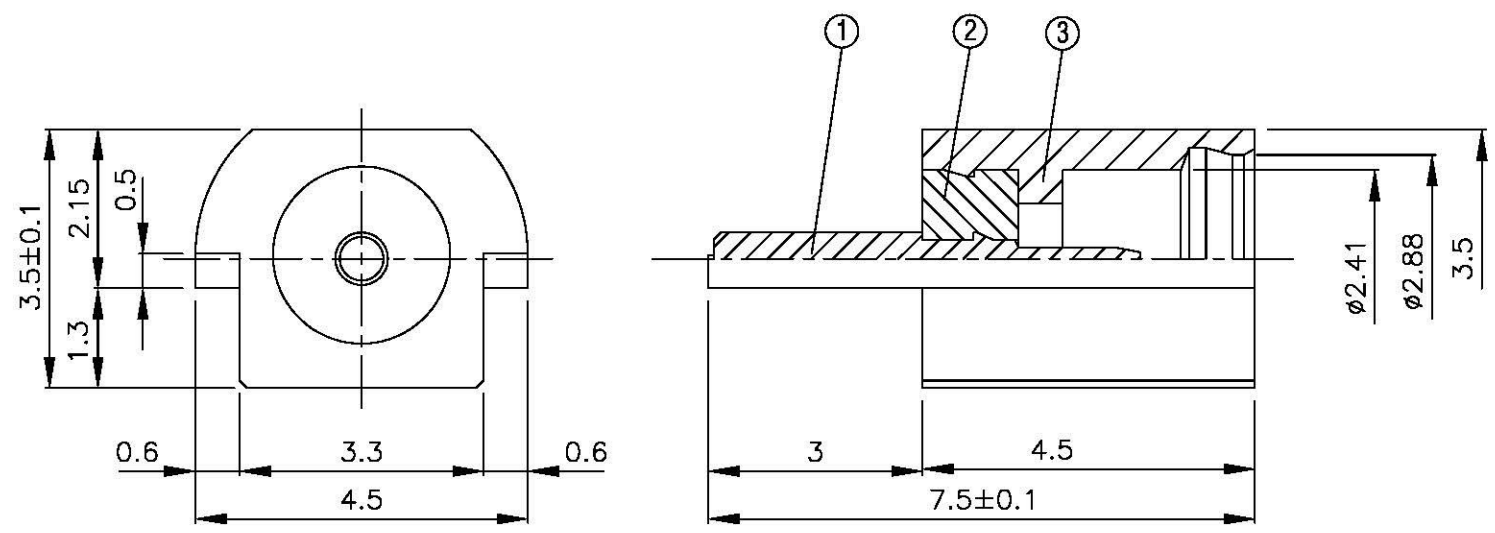
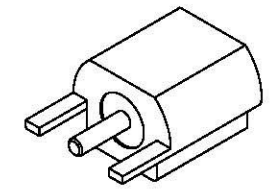


NO	DESCRIPTION	MATERIAL	Q'TY	FINISH	REMARK
1	PIN	PH.BRONZE	1	GOLD	P-MMCX0027-G
2	INSULATION	TEFLON	1	TEFLON	I-00262T
3	BODY	BRASS	1	GOLD	B-MMCX0024-G



**All Connectors**  
 www.allconnectors.de info@allconnectors.de  
 Tel: +0049 711 7009503 Fax: +0049 711 7009501  
 70/74 Hildersfeld Germany Kette in der Str. 25

TITLE **MMCX FEMALE EDGE MOUNT REVERSE POLARITY**

PART NO. **MMCX-05-TGG-RP**

DRAWING NO. **MMCX 05 TGG-RP**

DRAWN **MARY** DATE **96.07.05**

CHECKED **蘇志欣** DATE

Q.A. **蘇姿潔** DATE

APPROVAL **徐燦霖** DATE

REVISION DATE

**DIMENSIONS ARE IN MILLIMETERS**

UNLESS OTHERWISE SPECIFIED TOLERANCE

0.5-5=±0.2 120-315=±1  
 5-30=±0.4 315-1000=±1.6  
 30-120±0.6 1000-2000=±2.4

SCALE **4:1** SIZE **A**

REVISION	
DESCRIPTION	ENGINEER