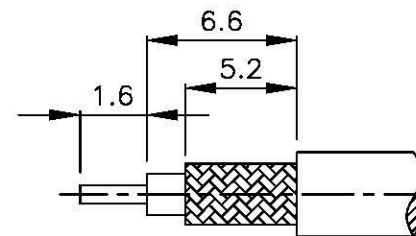
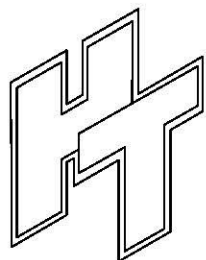
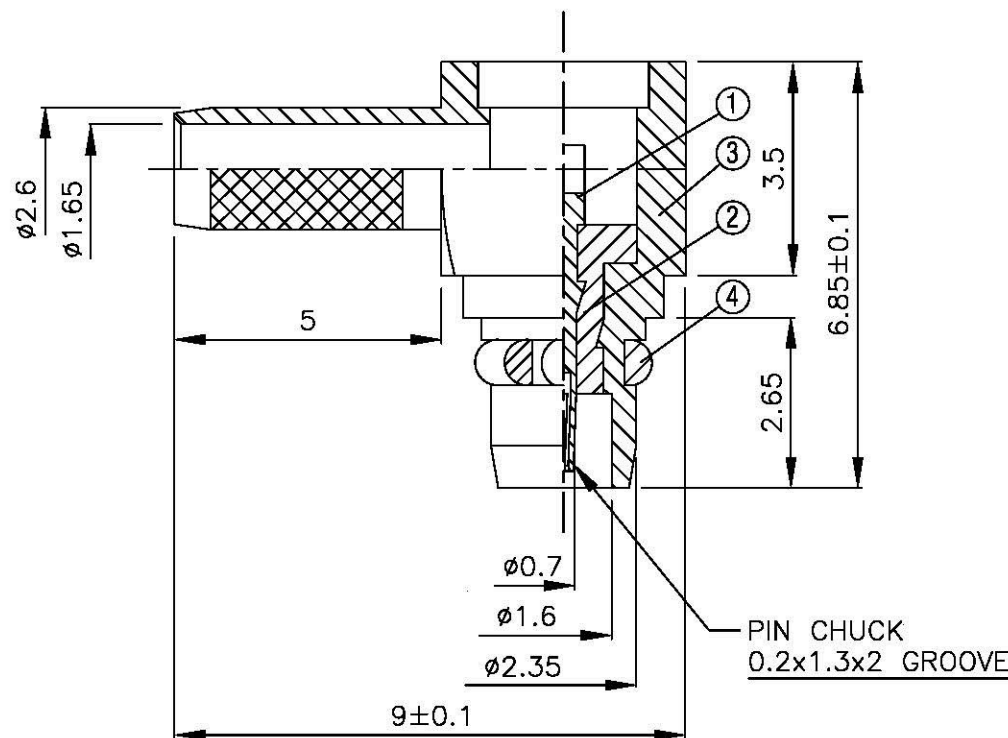
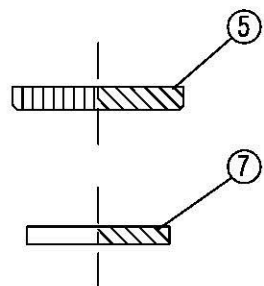
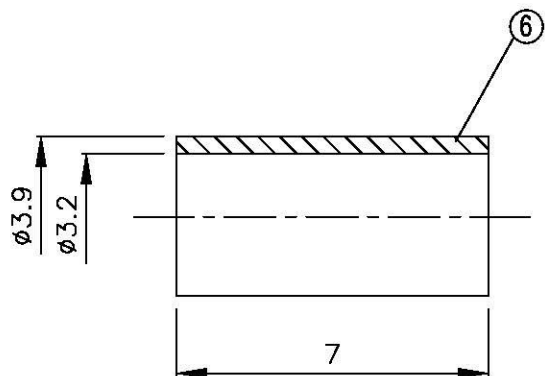
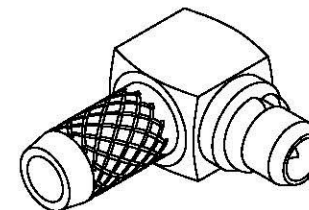


NO	DESCRIPTION	MATERIAL	Q'TY	FINISH	REMARK
1	PIN	BE CU	1	GOLD	P-MMCX0193-G
2	INSULATION	TEFLON	1	TEFLON	I-0150T
3	BODY	BRASS	1	GOLD	B-MMCX0022-G
4	LOCK WASHER	BE CU	1	GOLD	W-0008-G
5	WASHER	BRASS	1	GOLD	W-0010-G
6	RING	BRASS	1	GOLD	R-0001-G
7	INSULATION	TEFLON	1	TEFLON	I-0032T



(Recommended Stripping Dimension)



All Connectors

www.allconnectors.de
Tel: 0049 211 7005630
70734 Ulm/Reich - Germany

info@allconnectors.de
Fax: 0049 211 7005601
Kornmarkt, 25

DRAWN MARY DATE 96.07.05

CHECKED 蘇志欣 DATE

Q.A. 蘇姿潔 DATE

APPROVAL 徐燦霖 DATE

REVISION DATE

DIMENSIONS ARE IN MILLIMETERS

UNLESS OTHERWISE SPECIFIED TOLERANCE

0.5-5=±0.2 120-315=±1

5-30=±0.4 315-1000=±1.6

30-120±0.6 1000-2000=±2.4

REVISION

DESCRIPTION	ENGINEER

TITLE MMCX PLUG ANGLE FOR RG174/U REVERSE POLARITY

PART NO. MMCX-01LV1-TGN-RP

DRAWING NO. MMCX 01LV1 TGN RP

SCALE 4:1 SIZE A