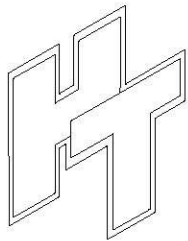
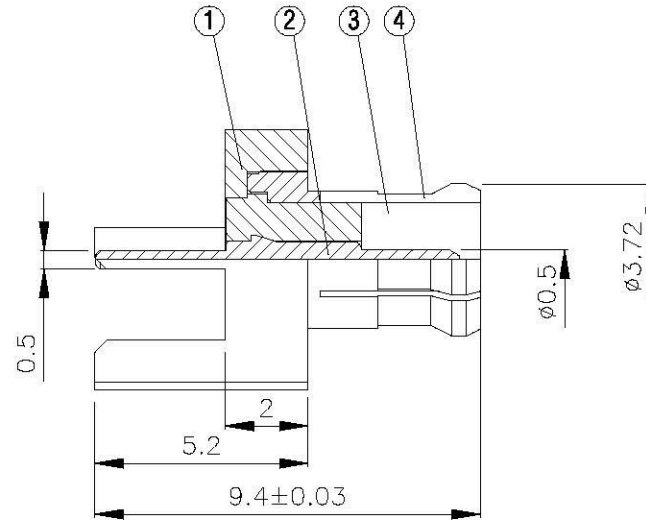
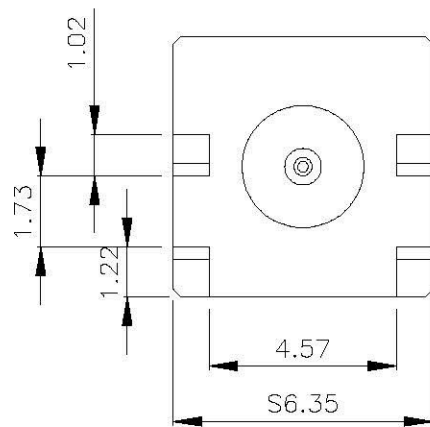
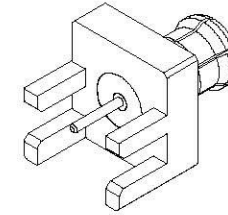


NO	DESCRIPTION	MATERIAL	Q'TY	FINISH
1	BODY 1	BRASS	1	GOLD
2	PIN	BRASS	1	GOLD
3	INSULATION 1	TEFLON	1	TEFLON
4	BODY 2	BE CU	1	GOLD



All Connectors

Industrial connectors for
 MIL-STD-883C Class B
 MIL-STD-883C Class C
 MIL-STD-883C Class D
 MIL-STD-883C Class E
 MIL-STD-883C Class F
 MIL-STD-883C Class G
 MIL-STD-883C Class H
 MIL-STD-883C Class I
 MIL-STD-883C Class J
 MIL-STD-883C Class K
 MIL-STD-883C Class L
 MIL-STD-883C Class M
 MIL-STD-883C Class N
 MIL-STD-883C Class O
 MIL-STD-883C Class P
 MIL-STD-883C Class Q
 MIL-STD-883C Class R
 MIL-STD-883C Class S
 MIL-STD-883C Class T
 MIL-STD-883C Class U
 MIL-STD-883C Class V
 MIL-STD-883C Class W
 MIL-STD-883C Class X
 MIL-STD-883C Class Y
 MIL-STD-883C Class Z

TITLE **MCX MALE END LAUNCH
75 OHM**

PART NO. **MCX-24-TGG-75**

DRAWING NO. **MCX 24 TGG 75**

DRAWN **MARY** DATE **96.08.21**

CHECKED **黄巧君** DATE

Q.A. **蘇姿潔** DATE

APPROVAL **徐燦霖** DATE

REVISION DATE

DIMENSIONS ARE IN MILLIMETERS

UNLESS OTHERWISE SPECIFIED
TOLERANCE

0.5-5=±0.2 120-315=±1

5-30=±0.4 315-1000=±1.6

30-120=±0.6 1000-2000=±2.4

SCALE **4:1** SIZE **A**

REVISION

DESCRIPTION ENGINEER