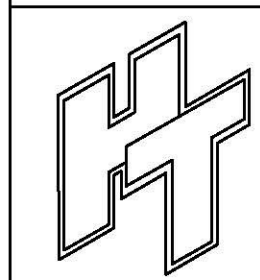
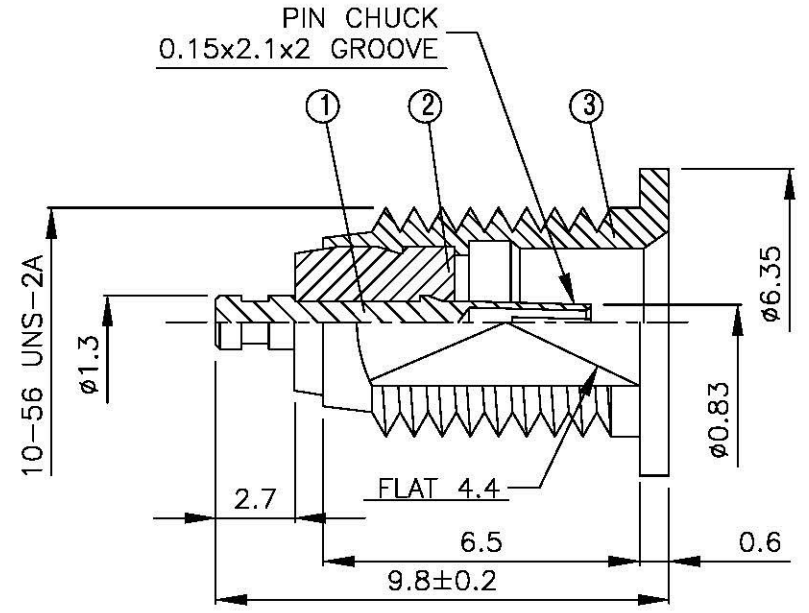
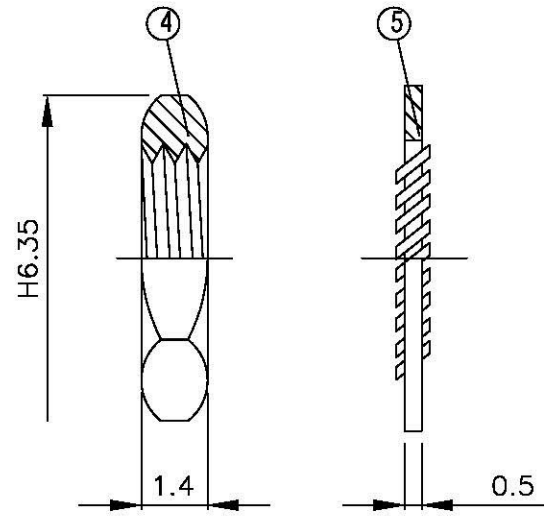
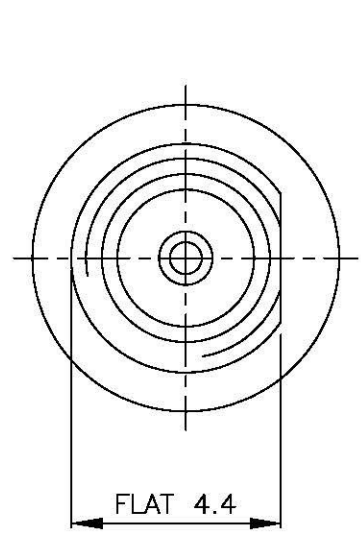
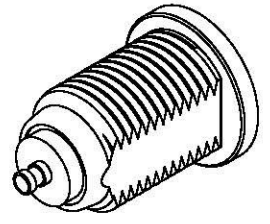


NO	DESCRIPTION	MATERIAL	Q'TY	FINISH	REMARK
1	PIN	BE CU	1	GOLD	
2	INSULATION	TEFLON	1	TEFLON	
3	BODY	BRASS	1	GOLD	B-MCX0432-G
4	NUT	BRASS	1	GOLD	N-0012-G
5	WASHER	BRASS	1	GOLD	W-0009-G



All Connectors
 www.allconnectors.de
 Tel: 0049 711 700500
 70794 Filderstadt - Germany
 info@allconnectors.de
 Fax: 0049 711 700501
 Kellerstr. 25

TITLE FRONT MOUNT BULKHEAD JACK RECEPTACLE

PART NO. MCX-17-TGG-75

DRAWING NO. MCX 17 TGG-75

DRAWN MARY DATE 96.04.30

CHECKED 黄巧君 DATE

Q.A. 蘇姿潔 DATE

APPROVAL 徐燦霖 DATE

REVISION DATE

DIMENSIONS ARE IN MILLIMETERS

UNLESS OTHERWISE SPECIFIED TOLERANCE

0.5-5=±0.2	120-315=±1
5-30=±0.4	315-1000=±1.6
30-120±0.6	1000-2000=±2.4

SCALE 4:1 SIZE A

REVISION	
DESCRIPTION	ENGINEER