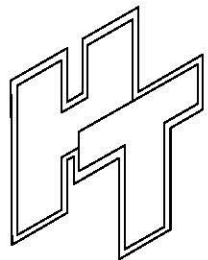
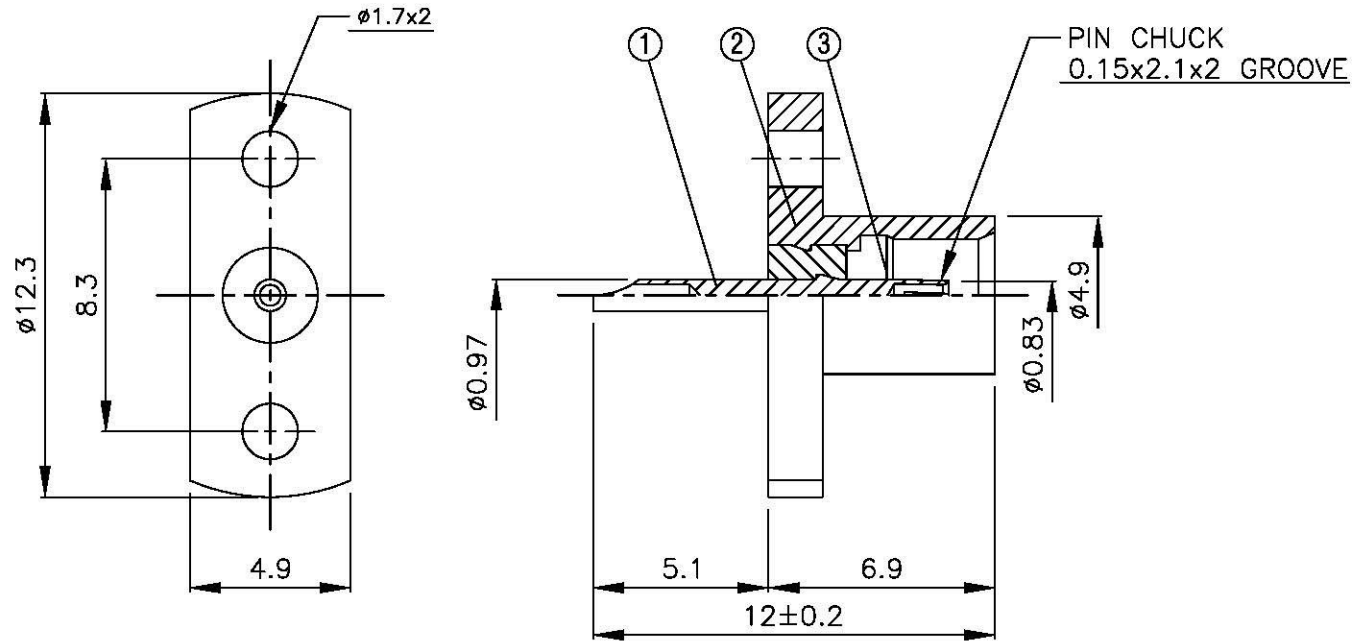
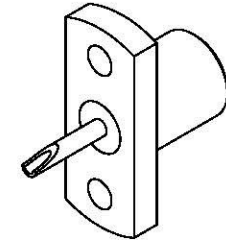


NO	DESCRIPTION	MATERIAL	Q'TY	FINISH	REMARK
1	PIN	BE CU	1	GOLD	
2	BODY	BRASS	1	GOLD	B-MCX0433-G
3	INSULATION	TEFLON	1	TEFLON	



All Connectors

www.allconnectors.de
Tel: 0049 711 7005503
70938 Filhratesch - Germany

info@allconnectors.de
Fax: 0049 711 7005501
Kammanstr. 25

TITLE MCX STRAIGHT JACK 2 HOLES RECEPTACLE

PART NO. MCX-16-TGG-75

DRAWING NO. MCX-16-TGG-75

DRAWN MARY DATE 96.05.15

CHECKED 蘇志欣 DATE

Q.A. 蘇姿潔 DATE

APPROVAL 徐燦霖 DATE

REVISION DATE

DIMENSIONS ARE IN MILLIMETERS

UNLESS OTHERWISE SPECIFIED TOLERANCE
0.5-5=±0.2 120-315=±1
5-30=±0.4 315-1000=±1.6
30-120±0.6 1000-2000=±2.4

SCALE 4:1 SIZE A

REVISION

DESCRIPTION ENGINEER