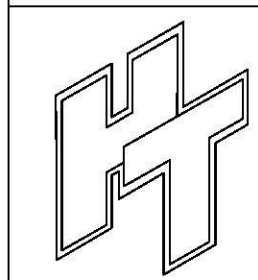
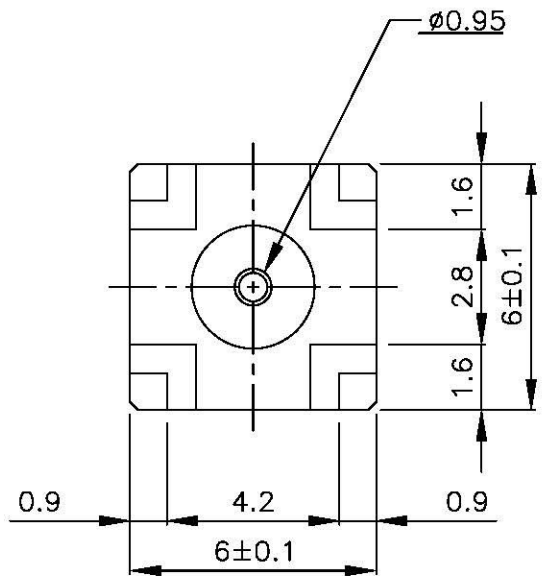
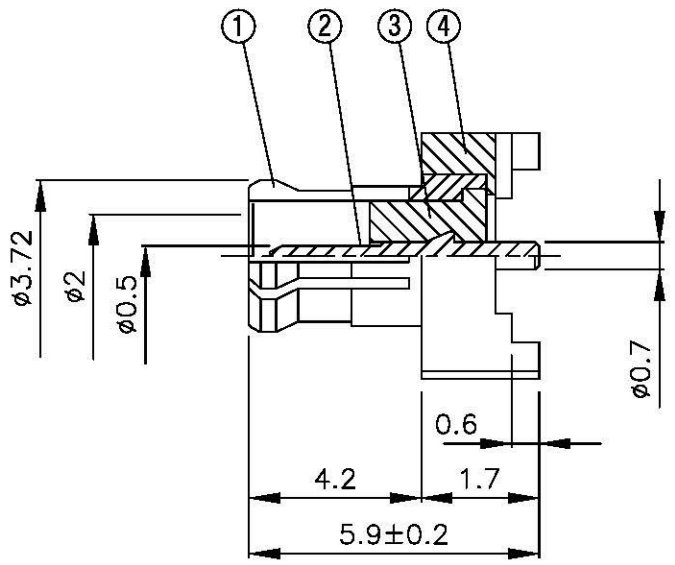
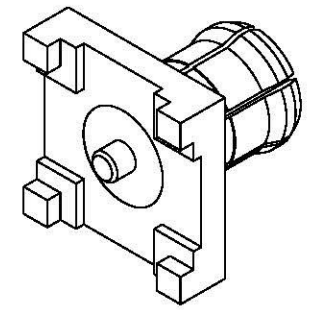
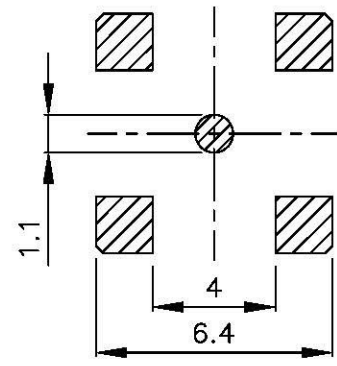


NO	DESCRIPTION	MATERIAL	Q'TY	FINISH	REMARK
1	BODY 1	BE CU	1	GOLD	B-MCX0288-G
2	PIN	BRASS	1	GOLD	
3	INSULATION 1	TEFLON	1	TEFLON	I-0311T
4	BODY 2	BRASS	1	GOLD	B-MCX0381-G



Allconnectors
 www.allconnectors.de
 Tel.: 0440 333 7000889
 70744 Biberach, Germany
 info@allconnectors.de
 Fax: 0440 333 9000004
 Kette: 0440 333 9000004

TITLE MCX MALE PC MOUNT
75 OHM

PART NO. MCX-15V4-TGG-75

DRAWING NO. MCX 15V4 TGG-75

DRAWN MARY
CHECKED 黄巧君
Q.A. 蘇姿潔
APPROVAL 徐燦霖
REVISION

DATE 96.05.15

DATE

DATE

DATE

DATE

DIMENSIONS ARE IN MILLIMETERS

UNLESS OTHERWISE SPECIFIED TOLERANCE

0.5-5=±0.2	120-315=±1
5-30=±0.4	315-1000=±1.6
30-120±0.6	1000-2000=±2.4

SCALE 4:1 **SIZE** A

REVISION	
DESCRIPTION	ENGINEER