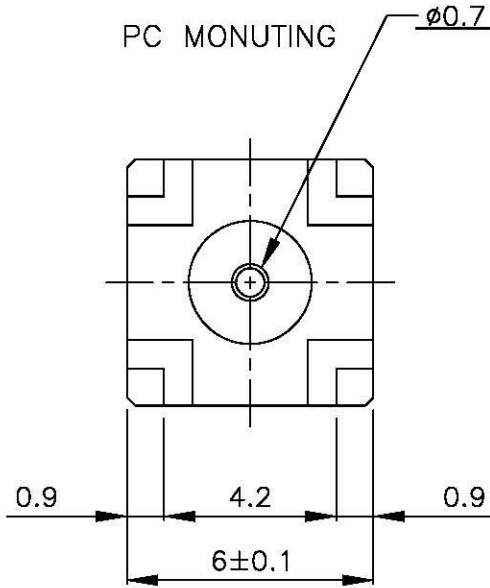
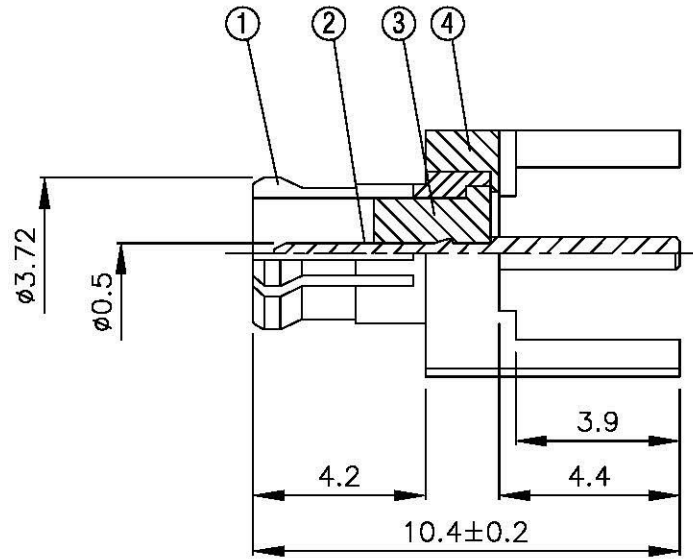
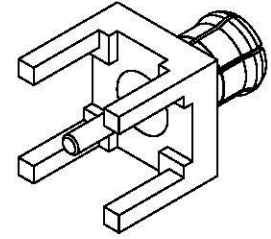
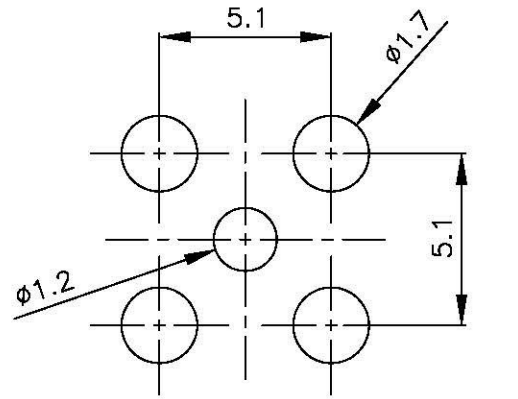


NO	DESCRIPTION	MATERIAL	Q'TY	FINISH	REMARK
1	BODY 1	BE CU	1	GOLD	B-MCX0288-G
2	PIN	PH.BRONZE	1	GOLD	P-MCX0438-G
3	INSULATION 1	TEFLON	1	TEFLON	I-0311T
4	BODY 2	BRASS	1	GOLD	B-MCX0169-G



D

D

C

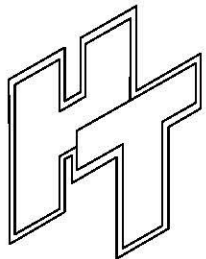
C

B

B

A

A



All Connectors

www.allconnectors.com
Tel: 0049 733 700500
70794 Pfullendorf, Germany

info@allconnectors.com
Fax: 0049 733 700504
Revised: 08.15

TITLE **MCX MALE PC MOUNT
75 (OHM)**

PART NO. **MCX-15-TGG-75**

DRAWING NO. **MCX 15 TGG-75**

DRAWN **MARY** DATE **96.05.16**

CHECKED **蘇志欣** DATE

Q.A. **蘇姿潔** DATE

APPROVAL **徐燦霖** DATE

REVISION DATE

DIMENSIONS ARE IN MILLIMETERS

UNLESS OTHERWISE SPECIFIED
TOLERANCE

0.5-5 = ± 0.2 120-315 = ± 1

5-30 = ± 0.4 315-1000 = ± 1.6

30-120 = ± 0.6 1000-2000 = ± 2.4

SCALE **4:1** SIZE **A**

REVISION

DESCRIPTION ENGINEER

4

3

2

1