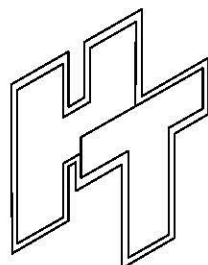
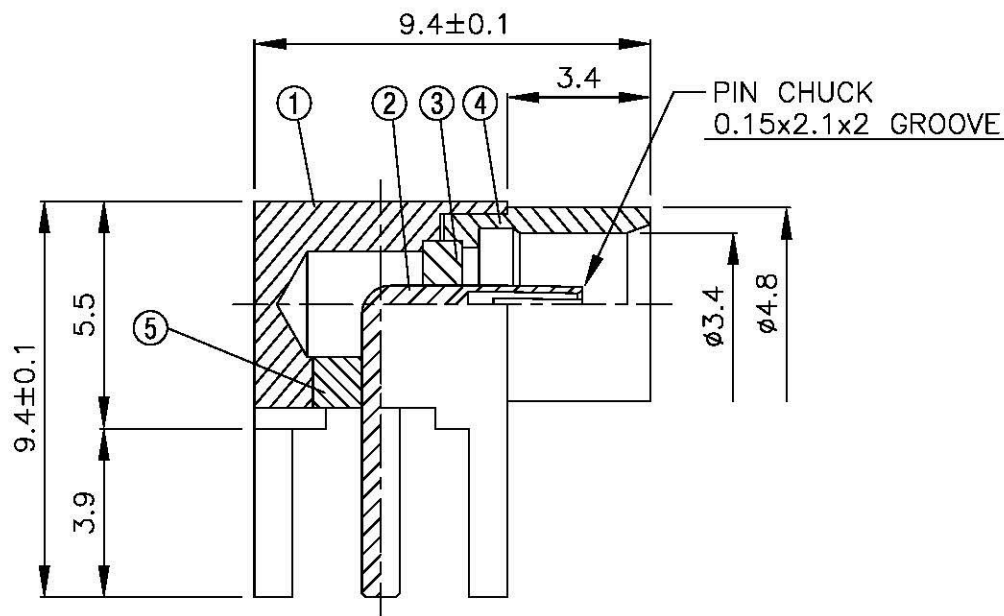
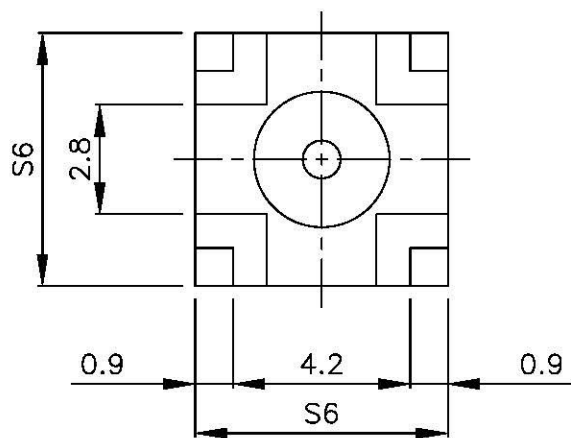
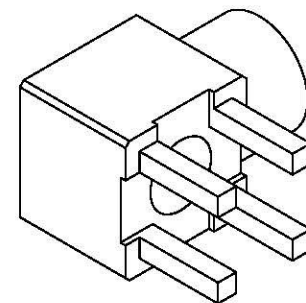
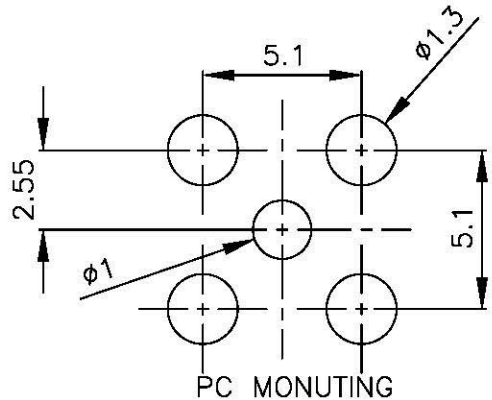


NO	DESCRIPTION	MATERIAL	Q'TY	FINISH	REMARK
1	BODY 1	BRASS	1	NICKEL	B-MCX0282-N
2	PIN	BE CU	1	GOLD	P-MCX0010-G
3	INSULATION 1	TEFLON	1	TEFLON	I-0193T
4	BODY 2	BRASS	1	NICKEL	B-MCX0283-N
5	INSULATION 2	TEFLON	1	TEFLON	I-0071T



All Connectors

www.allconnectors.de
 info@allconnectors.de
 +49 0491 211 2012001
 +49 0491 211 2012001
 70,94 Hohenstadt, Germany
 Kallmorsleben, DE

TITLE MCX ANGLE FEMALE PCB MOUNT
75 OHM

PART NO. MCX-11-TGN-75

DRAWING NO. MCX 11 TGN 75

DRAWN MARY

CHECKED 蘇姿潔

Q.A. 馮健華

APPROVAL 徐燦霖

REVISION

DATE 96.05.01

DATE

DATE

DATE

DATE

DIMENSIONS ARE IN MILLIMETERS

UNLESS OTHERWISE SPECIFIED
TOLERANCE

0.5-5=±0.2	120-315=±1
5-30=±0.4	315-1000=±1.6
30-120±0.6	1000-2000=±2.4

SCALE 4:1 SIZE A

REVISION

DESCRIPTION	ENGINEER