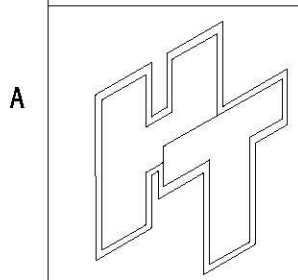
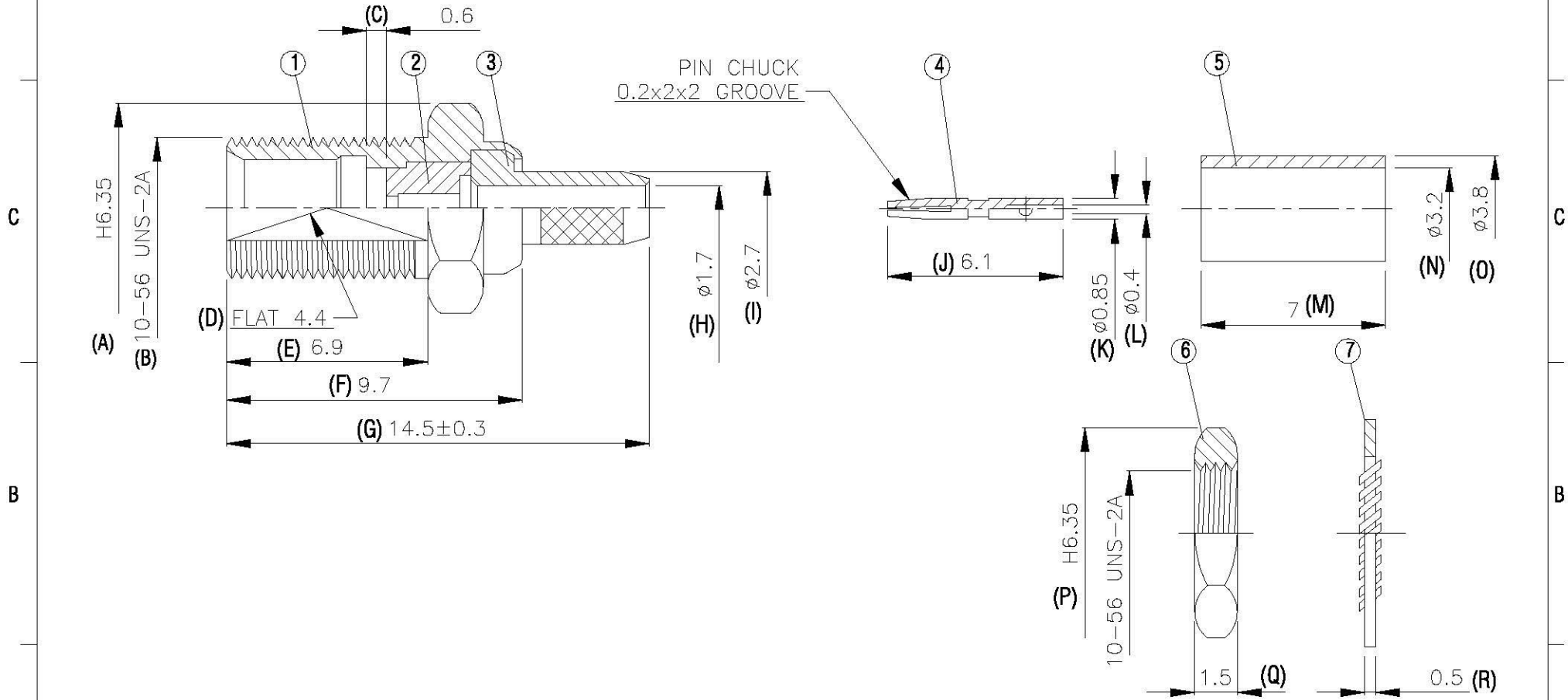
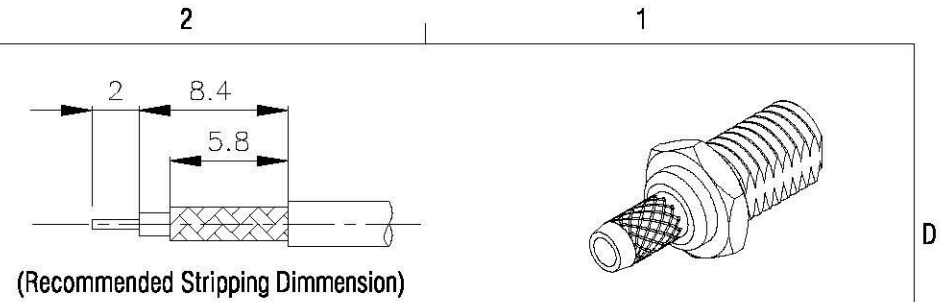


NO	DESCRIPTION	MATERIAL	Q'TY	FINISH	REMARK
1	BODY 1	BRASS	1	GOLD	B-MCX0152-G
2	INSULATION	TEFLON	1	TEFLON	I-0490T
3	BODY 2	BRASS	1	GOLD	B-MCX0040-G
4	PIN	BE CU	1	GOLD	P-MCX0700-G
5	RING	BRASS	1	GOLD	R-0001-G
6	NUT	BRASS	1	GOLD	N-0012-G
7	WASHER	BRASS	1	GOLD	W-0009-G



**Allconnectors**  
 www.allconnectors.de  
 Tel.: 0049 711 7003003  
 20794 Finkenbüschel, Germany

**Info@allconnectors.de**  
 Fax: 0049 711 7003001  
 Kollmannstr. 25

**TITLE MCX FEMALE CRIMP FOR RG179/U**

**PART NO. MCX-10N-TGG**

**DRAWING NO. MCX-10N-TGG**

**DRAWN MARY**

**CHECKED 蘇志欣**

**Q.A. 蘇姿潔**

**APPROVAL 徐燦霖**

**REVISION**

**DATE 96.05.01**

**DATE**

**DATE**

**DATE**

**DATE**

**DIMENSIONS ARE IN MILLIMETERS**

**UNLESS OTHERWISE SPECIFIED TOLERANCE**

0.5-5=±0.2	120-315=±1
5-30=±0.4	315-1000=±1.6
30-120±0.6	1000-2000=±2.4

**SCALE 4:1**    **SIZE A**

REVISION	
DESCRIPTION	ENGINEER