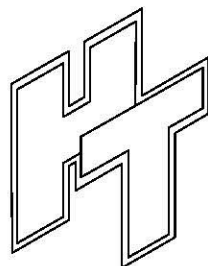
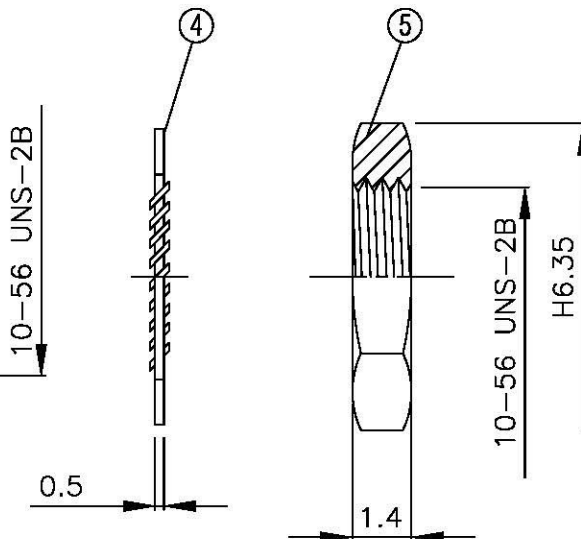
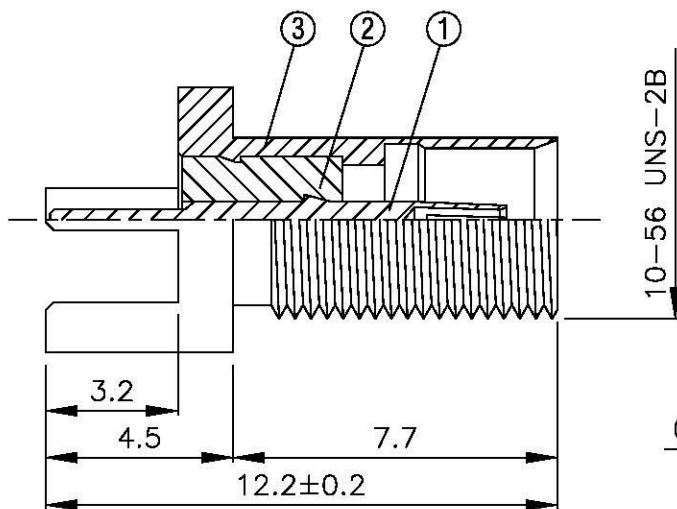
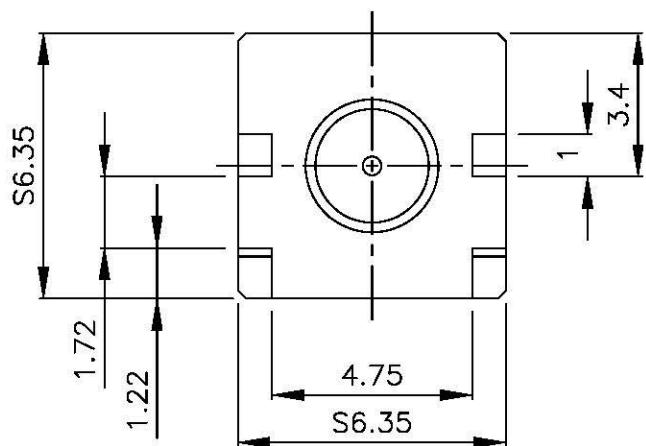
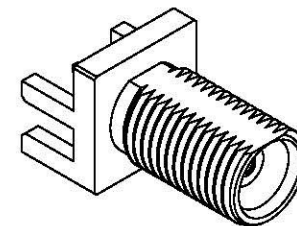
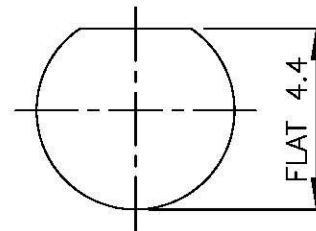


| NO | DESCRIPTION | MATERIAL | Q'TY | FINISH | REMARK |
|----|-------------|----------|------|--------|-------------|
| 1 | PIN | BE CU | 1 | GOLD | P-MCX0359-G |
| 2 | INSULATION | TEFLON | 1 | TEFLON | |
| 3 | BODY | BRASS | 1 | GOLD | B-MCX0556-G |
| 4 | WASHER | BRASS | 1 | GOLD | W-0009-G |
| 5 | NUT | BRASS | 1 | GOLD | N-0012-G |



All Connectors

www.allconnectors.de
 info@allconnectors.de
 Tel: 0970 211 8810/11
 70794 Filzbornstedt, Germany
 Kottenwohrstr. 25

TITLE MCX FEMALE END LAUNCH BOARD THICKNESS (1.57)

PART NO. MCX-09V5-TGG-75

DRAWING NO. MCX 09V5 TGG 75

DRAWN MARY DATE 96.05.01

CHECKED 黄巧君 DATE

Q.A. 蘇姿潔 DATE

APPROVAL 徐燦霖 DATE

REVISION DATE

DIMENSIONS ARE IN MILLIMETERS

UNLESS OTHERWISE SPECIFIED TOLERANCE

| | |
|------------|----------------|
| 0.5-5=±0.2 | 120-315=±1 |
| 5-30=±0.4 | 315-1000=±1.6 |
| 30-120±0.6 | 1000-2000=±2.4 |

SCALE 4:1 SIZE A

REVISION

| DESCRIPTION | ENGINEER |
|-------------|----------|
| | |
| | |
| | |