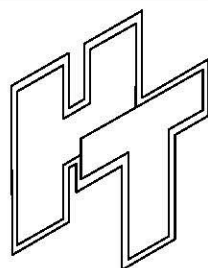
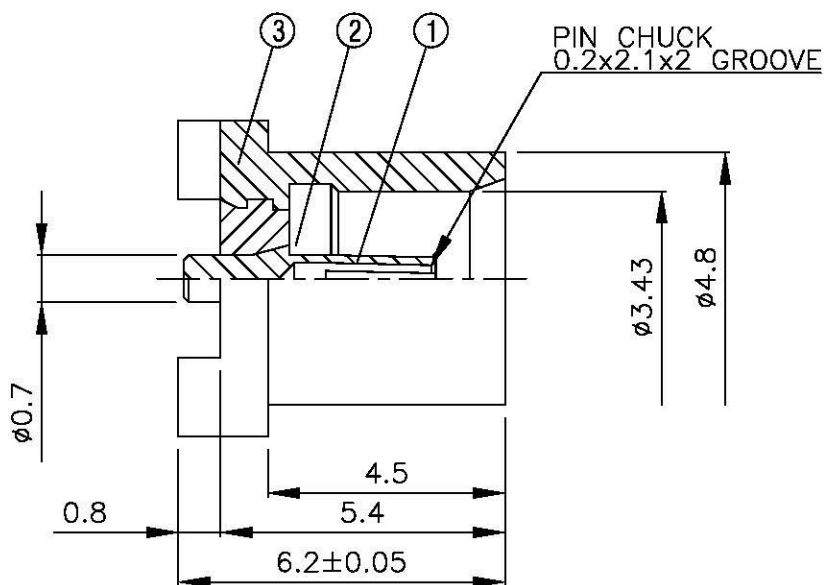
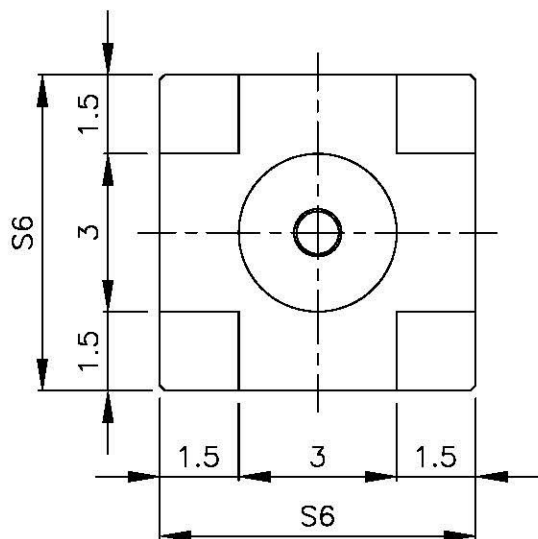
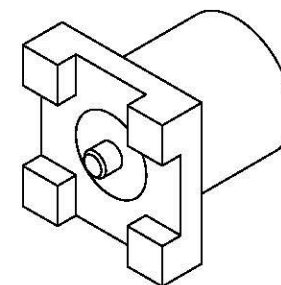
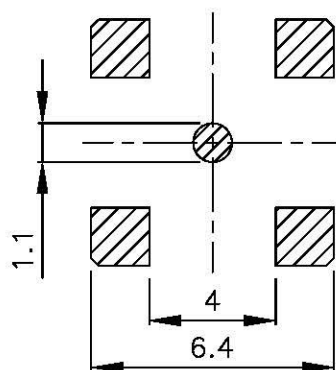


NO	DESCRIPTION	MATERIAL	Q'TY	FINISH	REMARK
1	PIN	BE CU	1	GOLD	P-MCX0703-G
2	INSULATION	TEFLON	1	TEFLON	I-0493T
3	BODY	BRASS	1	GOLD	B-MCX0139-G



All Connectors

www.allconnectors.de info@allconnectors.de
 Telf: 0249 711 7005801 Fax: 0249 711 7002801
 Allrad Industrie - Germany Kreis-Werstr. 25

TITLE **MCX JACK PCB MOUNT
75 OHM**

PART NO. **MCX-05V5-TGG-75**

DRAWING NO. **MCX 05V5 TGG-75**

DRAWN	MARY	DATE	96.05.04
CHECKED	黄巧君	DATE	
Q.A.	蘇姿潔	DATE	
APPROVAL	徐燦霖	DATE	
REVISION		DATE	

DIMENSIONS ARE IN MILLIMETERS			
UNLESS OTHERWISE SPECIFIED TOLERANCE			
0.5-5=±0.2	120-315=±1		
5-30=±0.4	315-1000=±1.6		
30-120±0.6	1000-2000=±2.4		
SCALE	4:1	SIZE	A

REVISION	
DESCRIPTION	ENGINEER