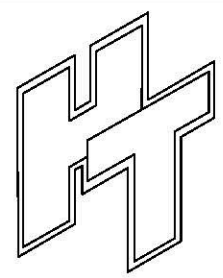
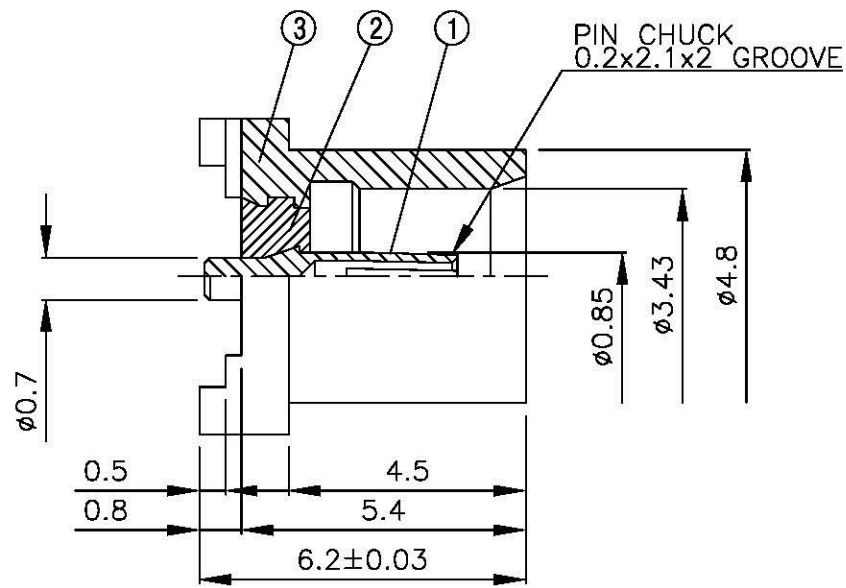
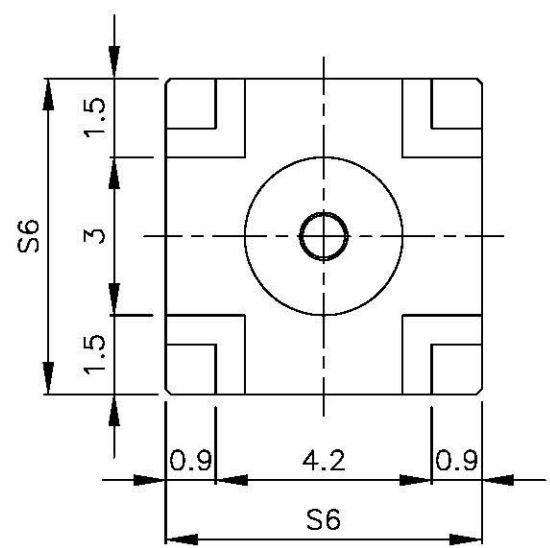
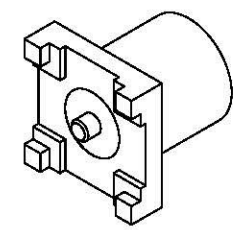
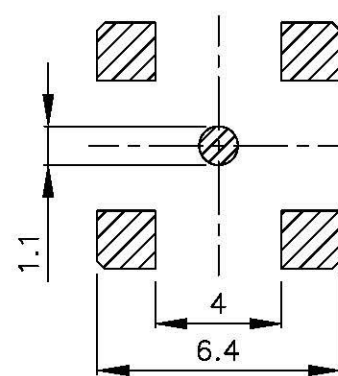


| NO | DESCRIPTION | MATERIAL | Q'TY | FINISH | REMARK |
|----|-------------|----------|------|--------|-------------|
| 1 | PIN | BE CU | 1 | GOLD | P-MCX0703-G |
| 2 | INSULATION | TEFLON | 1 | TEFLON | I-0493T |
| 3 | BODY | BRASS | 1 | GOLD | B-MCX0138-G |



All Connectors
 www.allconnectors.de info@allconnectors.de
 tel: 0049 711 7639483 fax: 0049 711 7639591
 20727 Mülheim a. d. Ruhr Germany

TITLE **MCX JACK PCB MOUNT
75 OHM**

PART NO. **MCX-05V4-TGG-75**

DRAWING NO. **MCX 05V4 TGG-75**

DRAWN MARY DATE 96.05.04

CHECKED 黄巧君 DATE

Q.A. 蘇姿潔 DATE

APPROVAL 徐燦霖 DATE

REVISION DATE

DIMENSIONS ARE IN MILLIMETERS

UNLESS OTHERWISE SPECIFIED TOLERANCE

| | |
|------------|----------------|
| 0.5-5=±0.2 | 120-315=±1 |
| 5-30=±0.4 | 315-1000=±1.6 |
| 30-120±0.6 | 1000-2000=±2.4 |

SCALE 4:1 SIZE A

REVISION

| DESCRIPTION | ENGINEER |
|-------------|----------|
| | |
| | |
| | |