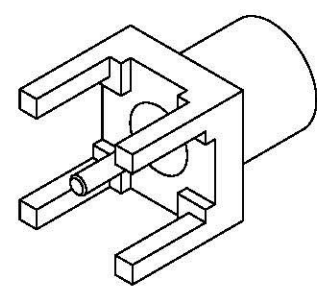
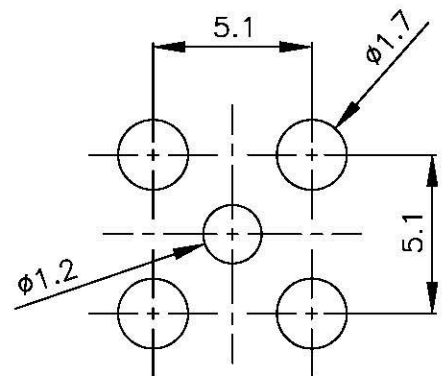
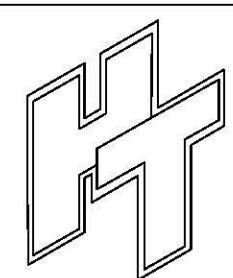
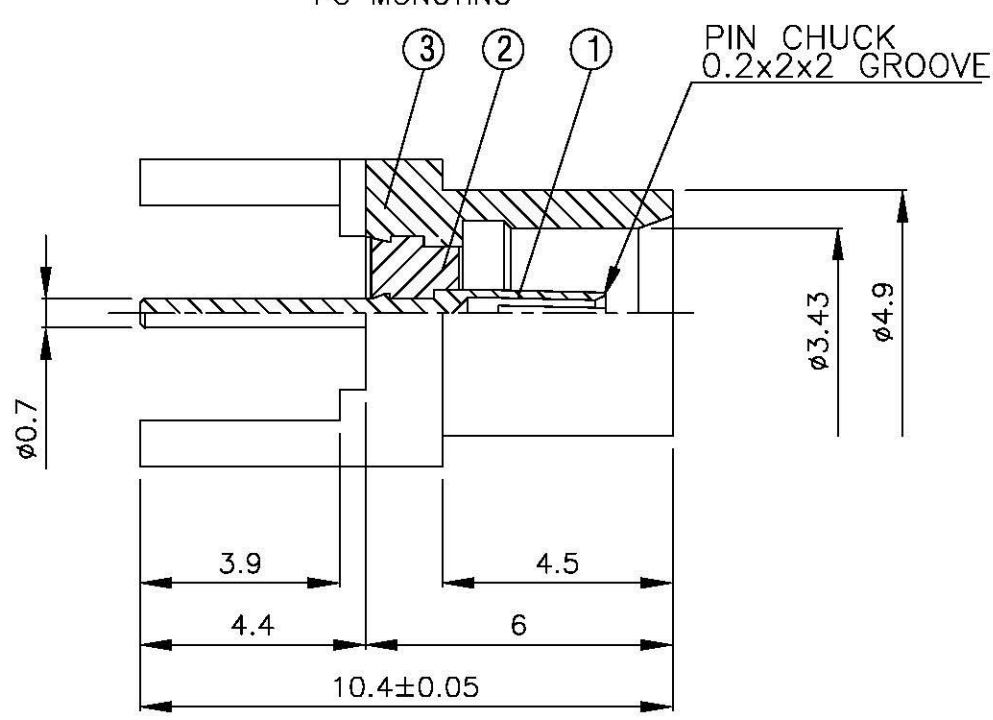
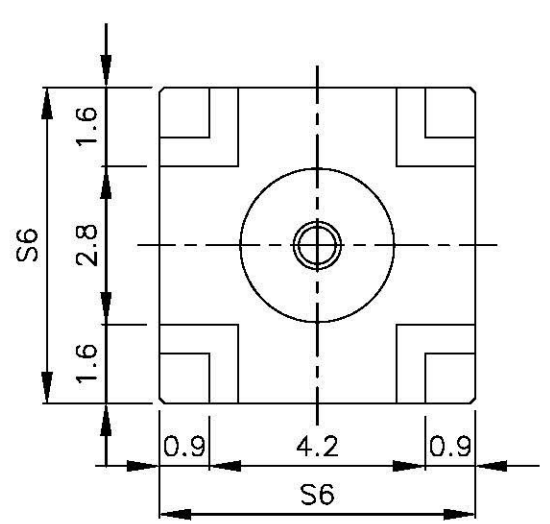


NO	DESCRIPTION	MATERIAL	Q'TY	FINISH	REMARK
1	PIN	BE CU	1	GOLD	P-MCX0436-G
2	INSULATION	TEFLON	1	TEFLON	I-0309T
3	BODY	BRASS	1	GOLD	B-MCX0136-G



PC MOUNTING



All Connectors
 www.allconnectors.de
 info@allconnectors.de
 70794 Filsdorftal · Germany
 89070 Gmü. 211, 212/213
 Kettmstr. 22

TITLE **MCX JACK PCB MOUNT
750HM**

PART NO. **MCX-05-TGG-75**

DRAWING NO. **MCX 05 TGG 75**

DRAWN MARY DATE 96.05.04

CHECKED 黄巧君 DATE

Q.A. 蘇姿潔 DATE

APPROVAL 徐燦霖 DATE

REVISION DATE

DIMENSIONS ARE IN MILLIMETERS

UNLESS OTHERWISE SPECIFIED TOLERANCE

0.5-5=±0.2	120-315=±1
5-30=±0.4	315-1000=±1.6
30-120±0.6	1000-2000=±2.4

SCALE 4:1 SIZE A

REVISION

DESCRIPTION	ENGINEER