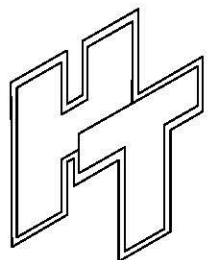
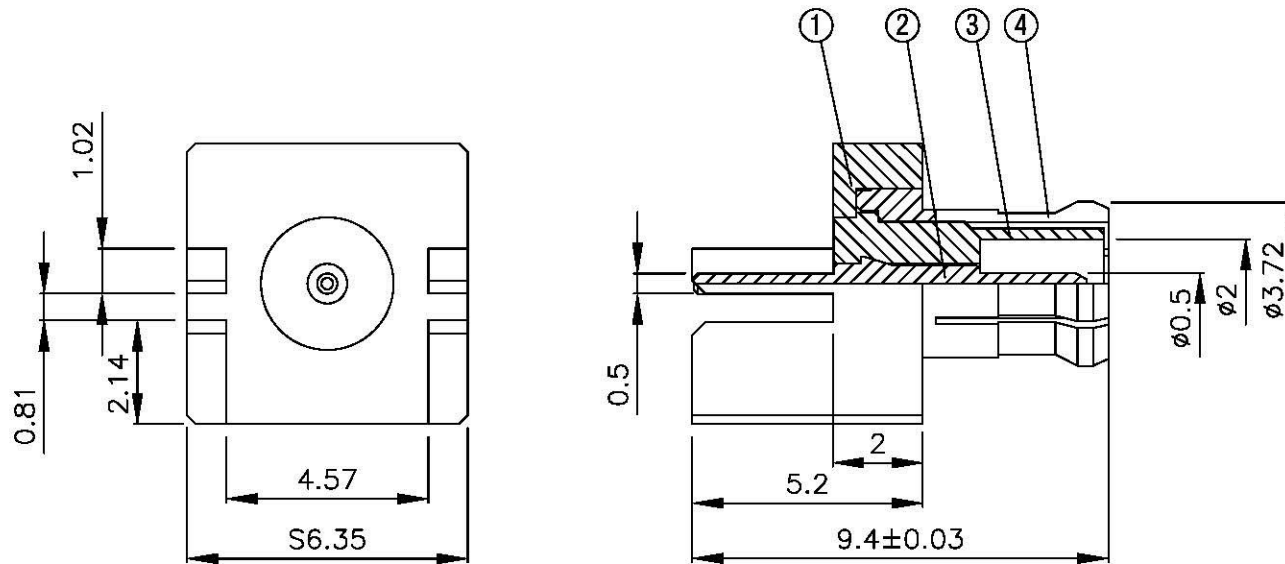
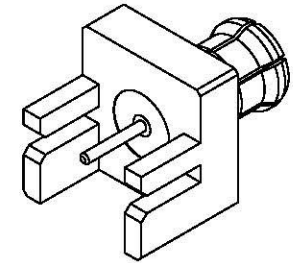


| NO | DESCRIPTION | MATERIAL | Q'TY | FINISH | REMARK |
|----|--------------|----------|------|--------|-------------|
| 1 | BODY 1 | BRASS | 1 | GOLD | B-MCX1209-G |
| 2 | PIN | BRASS | 1 | GOLD | P-MCX0871-G |
| 3 | INSULATION 1 | TEFLON | 1 | TEFLON | I-0581T |
| 4 | BODY 2 | BE CU | 1 | GOLD | B-MCX0288-G |



All Connectors

www.allconnectors.de info@allconnectors.de
Tel.: 0049 711 7009508 Fax: 0049 711 7009504
70794 Filderstadt - Germany Kettweg 35

TITLE **MCX MALE END LAUNCH**

PART NO. **MCX-24V6-TGG**

DRAWING NO. **MCX 24V6 TGG**

DRAWN **MARY** DATE **96.08.22**

CHECKED **黄巧君** DATE

Q.A. **蘇姿潔** DATE

APPROVAL **徐燦霖** DATE

REVISION DATE

DIMENSIONS ARE IN MILLIMETERS

UNLESS OTHERWISE SPECIFIED
TOLERANCE

0.5-5=±0.2 120-315=±1

5-30=±0.4 315-1000=±1.6

30-120±0.6 1000-2000=±2.4

SCALE **4:1** SIZE **A**

REVISION

DESCRIPTION ENGINEER

D

C

B

A

D

C

B

A

4

3

2

1