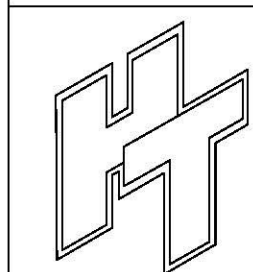
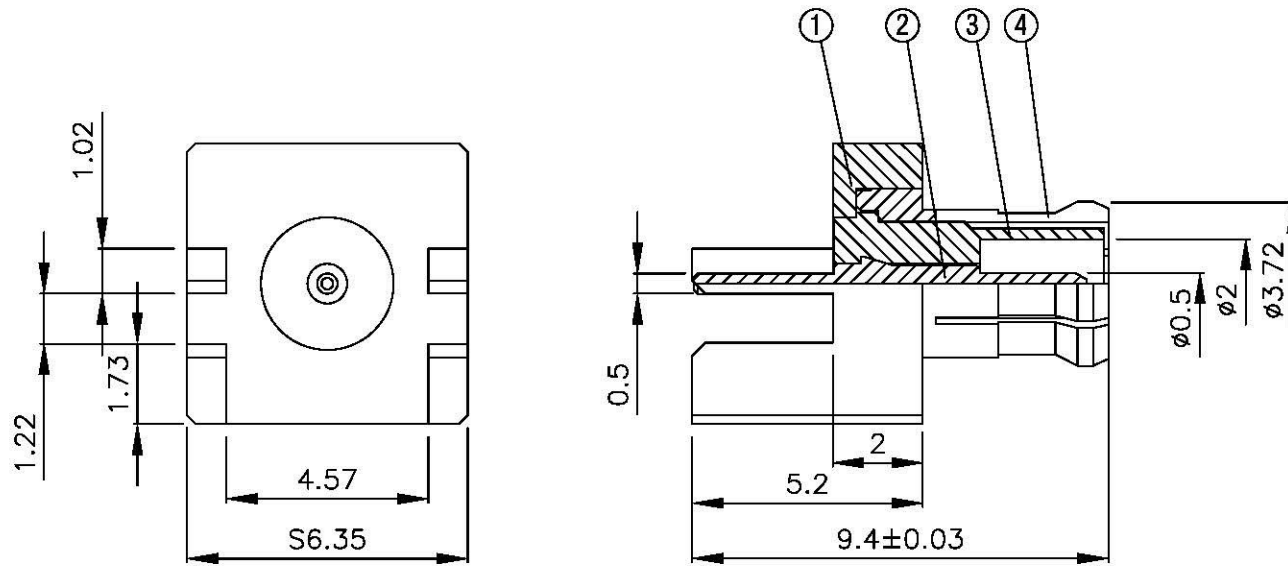
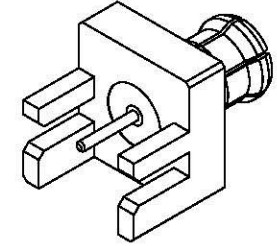


NO	DESCRIPTION	MATERIAL	Q'TY	FINISH	REMARK
1	BODY 1	BRASS	1	GOLD	B-MCX1208-G
2	PIN	BRASS	1	GOLD	P-MCX0871-G
3	INSULATION 1	TEFLON	1	TEFLON	I-0581T
4	BODY 2	BE CU	1	GOLD	B-MCX0288-G



All Connectors
 www.allconnectors.com
 Tel: 0284-7711000/7711004
 0284-7711000/7711004

TITLE MCX MALE END LAUNCH

PART NO. MCX-24V5-TGG

DRAWING NO. MCX 24V5 TGG

DRAWN MARY **DATE** 96.08.21

CHECKED 黄巧君 **DATE**

Q.A. 蘇姿潔 **DATE**

APPROVAL 徐燦霖 **DATE**

REVISION **DATE**

DIMENSIONS ARE IN MILLIMETERS

UNLESS OTHERWISE SPECIFIED TOLERANCE

0.5-5=±0.2 120-315=±1
 5-30=±0.4 315-1000=±1.6
 30-120±0.6 1000-2000=±2.4

SCALE 4:1 **SIZE** A

REVISION	
DESCRIPTION	ENGINEER