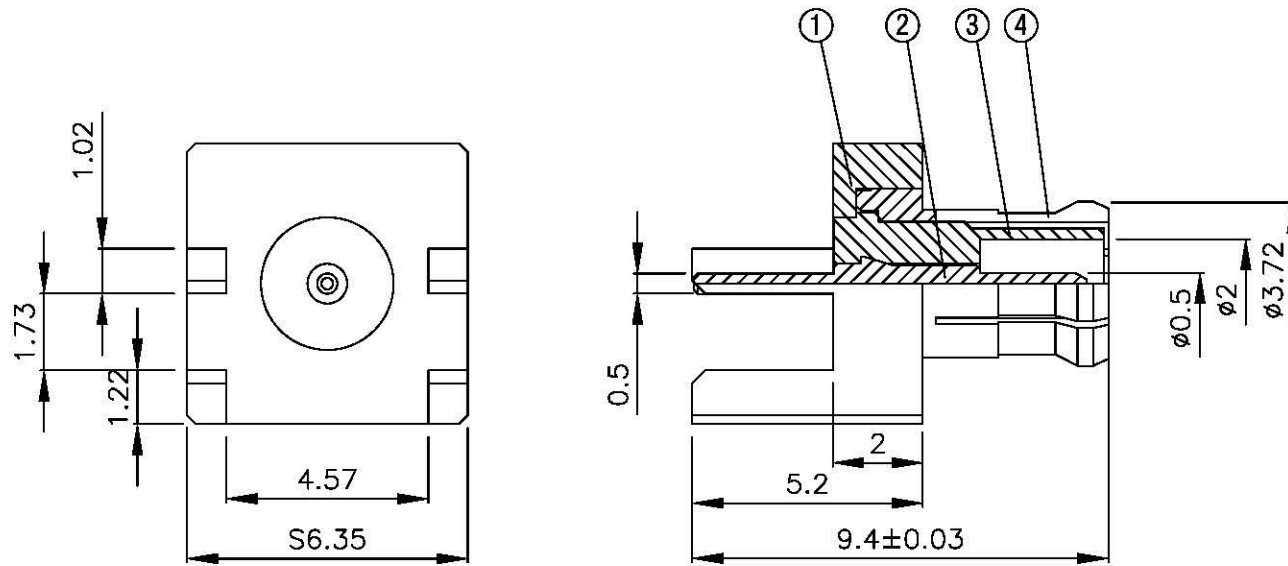
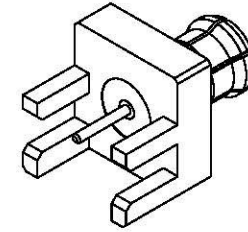


NO	DESCRIPTION	MATERIAL	Q'TY	FINISH	REMARK
1	BODY 1	BRASS	1	GOLD	B-MCX1207-G
2	PIN	BRASS	1	GOLD	P-MCX0871-G
3	INSULATION 1	TEFLON	1	TEFLON	I-0581T
4	BODY 2	BE CU	1	GOLD	B-MCX0288-G



		DRAWN MARY DATE 96.08.21	DIMENSIONS ARE IN MILLIMETERS		REVISION		
	<small>www.allconnectors.com Tel.: 0049 711 7095503 70794 Filderstadt - Germany</small>	<small>info@allconnectors.com Fax: 0049 711 7095504 Kettnerstr. 25</small>	CHECKED 黄巧君 DATE	UNLESS OTHERWISE SPECIFIED TOLERANCE		DESCRIPTION	ENGINEER
	TITLE MCX MALE END LAUNCH		Q.A. 蘇姿潔 DATE	0.5-5=±0.2 120-315=±1			
	PART NO. MCX-24-TGG		APPROVAL 徐燦霖 DATE	5-30= ±0.4 315-1000=±1.6			
	DRAWING NO. MCX 24 TGG		REVISION DATE	30-120±0.6 1000-2000=±2.4	SCALE 4:1 SIZE A		