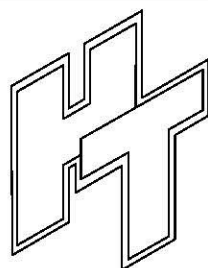
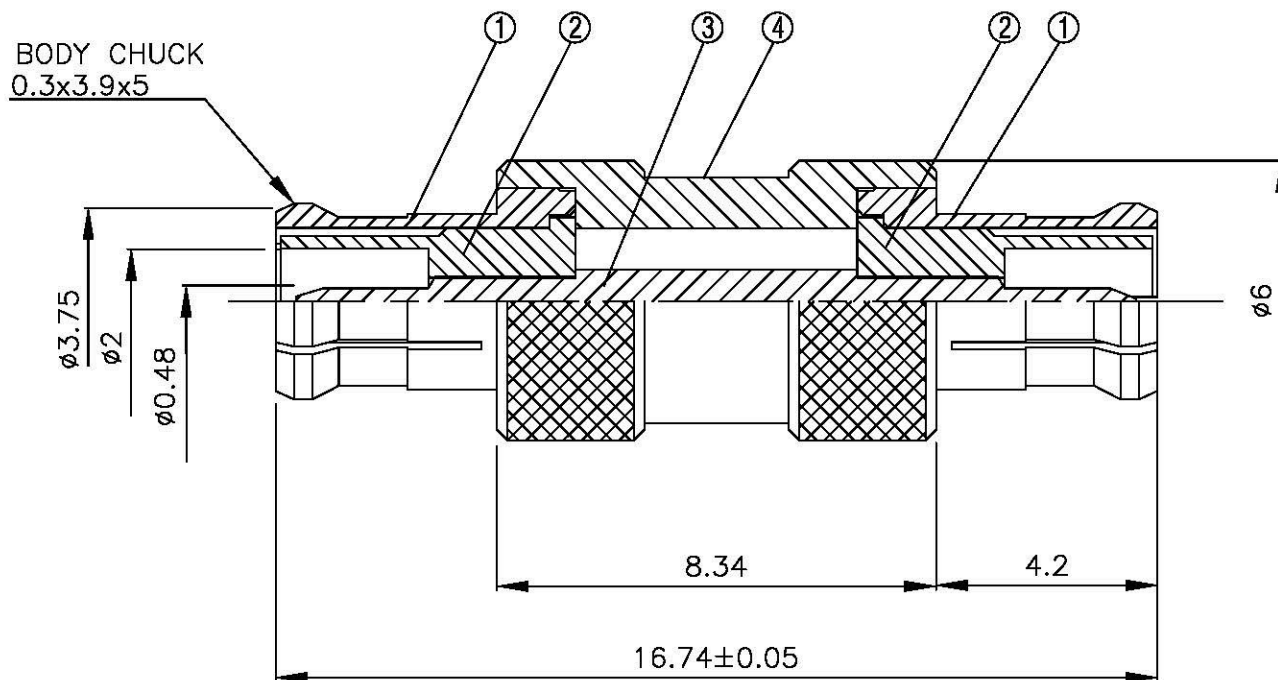
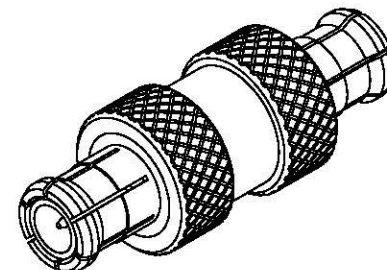


NO	DESCRIPTION	MATERIAL	Q'TY	FINISH	REMARK
1	BODY	BRASS	2	GOLD	B-MCX0288-G
2	INSULATION	TEFLON	2	TEFLON	I-0079T
3	PIN	PH.BRONZE	1	GOLD	P-MCX0819-G
4	BODY	BRASS	1	GOLD	B-MCX1160-G



All Connectors

www.allconnectors.de info@allconnectors.de
Tel.: 0049 711 7005503 Fax: 0049 711 7005504
allna.wild@connectors.com.cn electroconnectors.de

TITLE MCX PLUG - PLUG ADAPTOR

PART NO. MCX-23-TGG

DRAWING NO. MCX-23-TGG

DRAWN	MARY	DATE	96.02.16
CHECKED	沈佳德	DATE	96.02.16
Q.A.	蘇姿潔	DATE	
APPROVAL	徐燦霖	DATE	
REVISION		DATE	

DIMENSIONS ARE IN MILLIMETERS

UNLESS OTHERWISE SPECIFIED TOLERANCE	
0.5-5=±0.2	120-315=±1
5-30=±0.4	315-1000=±1.6
30-120±0.6	1000-2000=±2.4

SCALE 4:1 SIZE A

REVISION

DESCRIPTION	ENGINEER