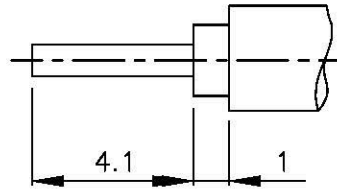
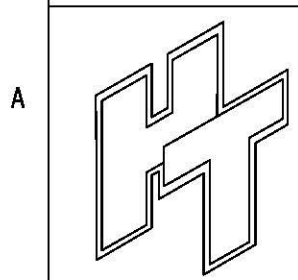
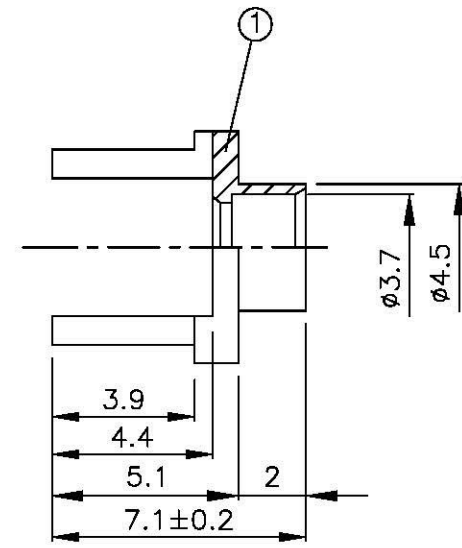
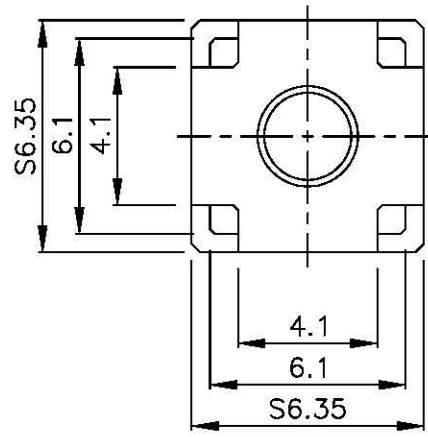
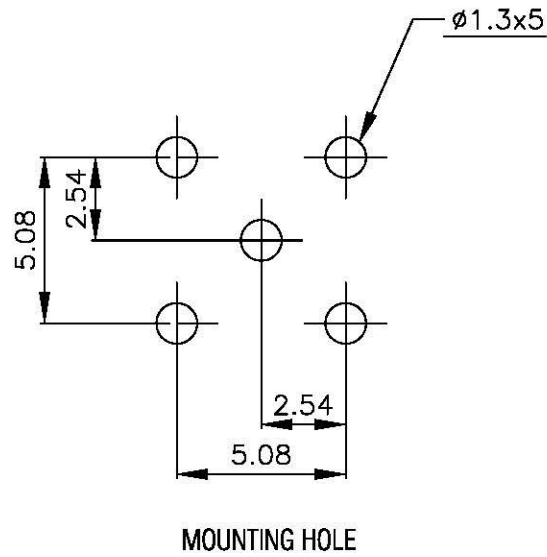
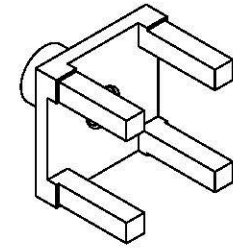


NO	DESCRIPTION	MATERIAL	Q'TY	FINISH	REMARK
1	BODY	BRASS	1	GOLD	B-MCX0530-G



(Recommended Stripping Dimension)



All Connectors
 www.allconnectors.de info@allconnectors.de
 41420 BPS 711 7001001 1385 0001 211 7002501
 20754 Finkenstraße 25 Germany Krefeld Germany 25

TITLE MCX STRAIGHT SOLDER PCB
4-HOLE MOUNT FOR RG-402(.141)

PART NO. MCX-21V2-GOLD

DRAWING NO. MCX 21V2 GOLD

DRAWN	MARY	DATE	96.07.05
CHECKED	蘇志欣	DATE	
Q.A.	蘇姿潔	DATE	
APPROVAL	徐燦霖	DATE	
REVISION		DATE	

DIMENSIONS ARE IN MILLIMETERS			
UNLESS OTHERWISE SPECIFIED TOLERANCE			
0.5-5=±0.2	120-315=±1		
5-30=±0.4	315-1000=±1.6		
30-120±0.6	1000-2000=±2.4		
SCALE	4:1	SIZE	A

REVISION	
DESCRIPTION	ENGINEER