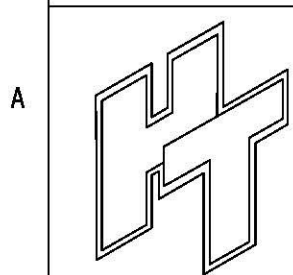
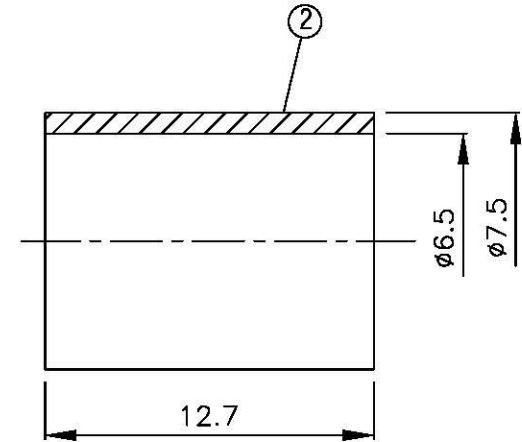
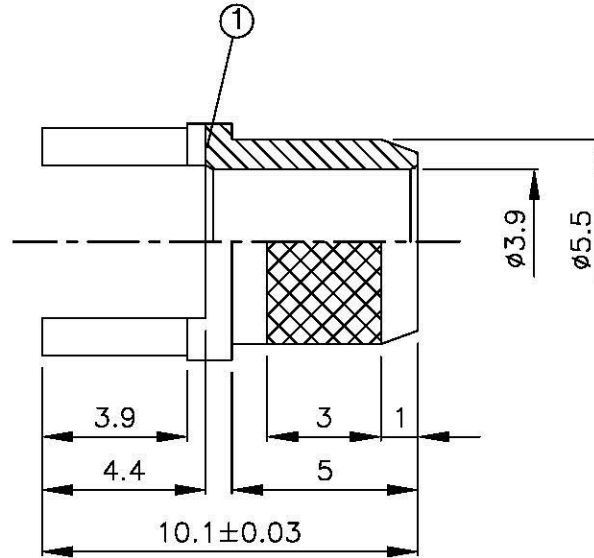
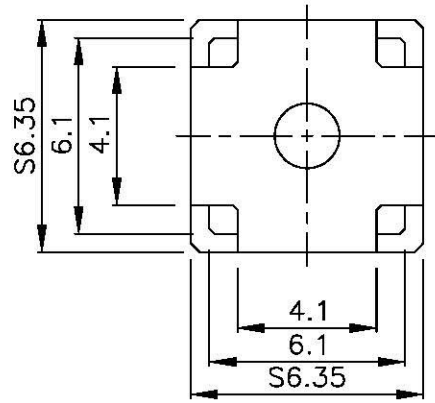
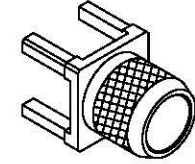
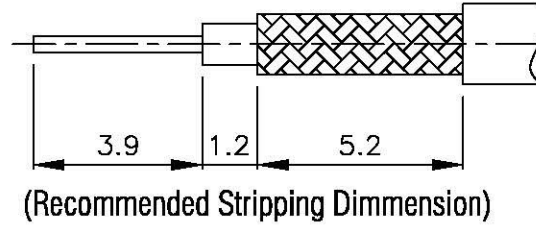
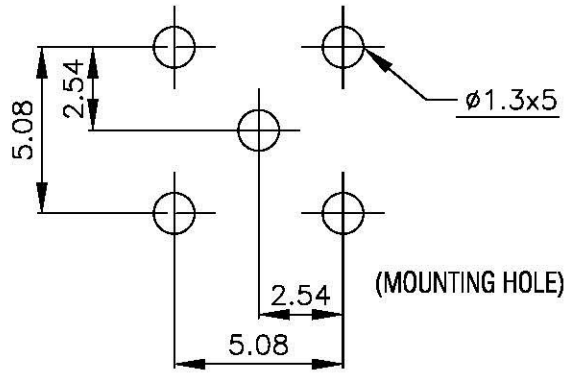


NO	DESCRIPTION	MATERIAL	Q'TY	FINISH	REMARK
1	BODY	BRASS	1	GOLD	B-MCX0955-G
2	RING	BRASS	1	GOLD	R-0018-G



**All Connectors**  
 www.allconnectors.de info@allconnectors.de  
 Tel.: 0049 711 200400 Fax: 0049 711 200400  
 70721 Tübingen - Germany kettenstr. 25

TITLE MCX STRAIGHT CRIMP PCB  
4-HOLE MOUNT FOR LMR-240

PART NO. MCX-21R-GOLD

DRAWING NO. MCX-21R-GOLD

DRAWN	MARY	DATE	96.07.05
CHECKED	蘇志欣	DATE	
Q.A.	蘇姿潔	DATE	
APPROVAL	徐燦霖	DATE	
REVISION		DATE	

DIMENSIONS ARE IN MILLIMETERS			
UNLESS OTHERWISE SPECIFIED TOLERANCE			
0.5-5=±0.2	120-315=±1		
5-30=±0.4	315-1000=±1.6		
30-120±0.6	1000-2000=±2.4		
SCALE	4:1	SIZE	A

REVISION	
DESCRIPTION	ENGINEER