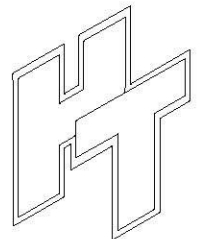
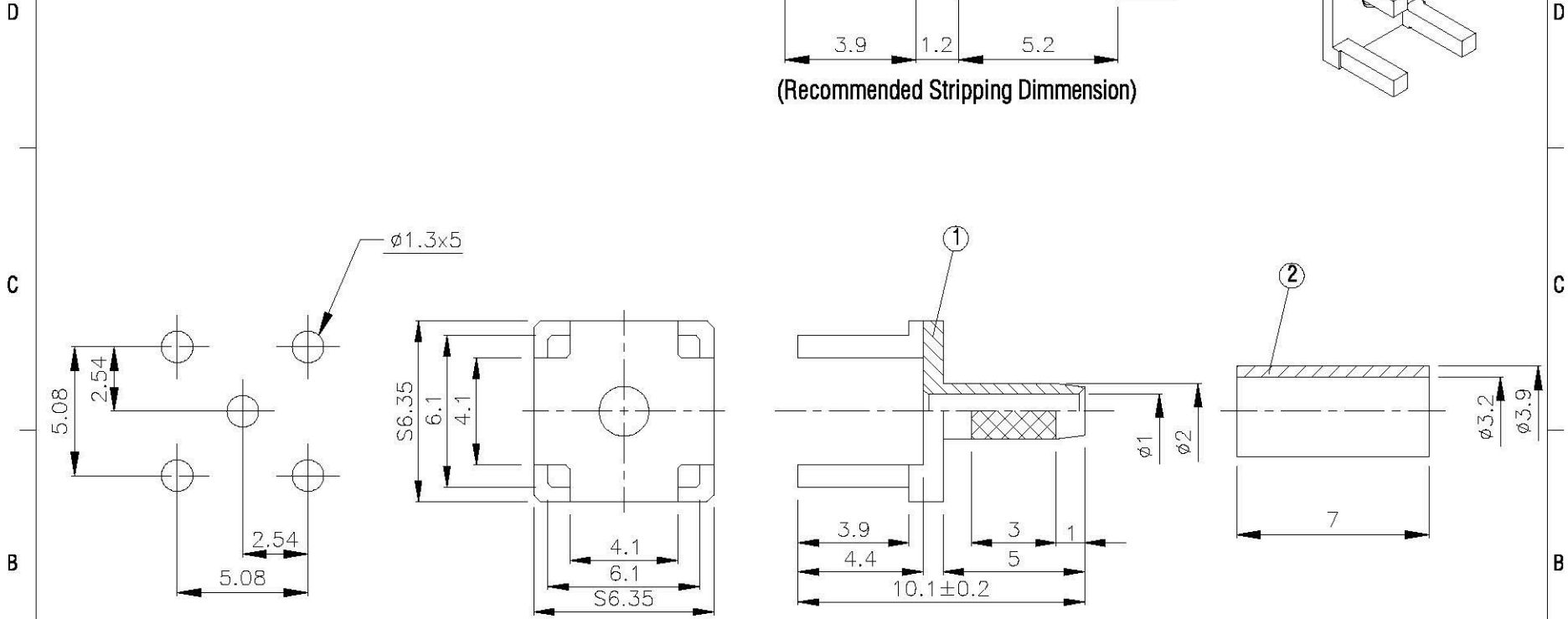
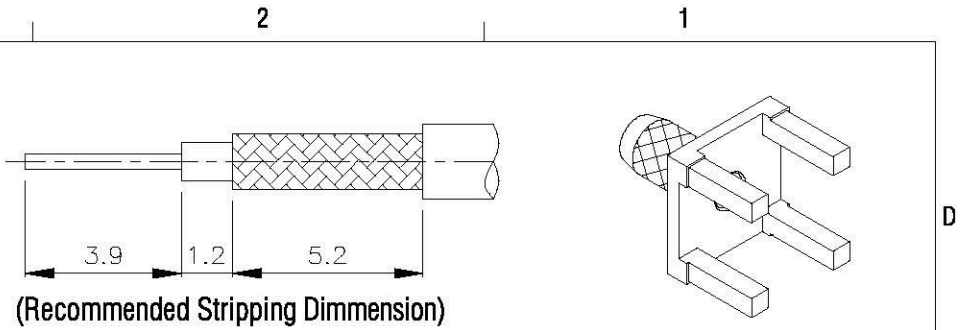


NO	DESCRIPTION	MATERIAL	Q'TY	FINISH	REMARK
1	BODY	BRASS	1	GOLD	B-MCX0527-G
2	RING	BRASS	1	GOLD	R-0038-G



All Connectors
 www.allconnectors.de
 Tel.: 0049 711 2009503
 20734 Filderstadt - Germany

info@allconnectors.de
 Fax: 0049 711 2009504
 Kettenstr. 25

TITLE MCX STRAIGHT CRIMP PCB
 4-HOLE MOUNT FOR RG-178/U

PART NO. MCX-21M-GOLD

DRAWING NO. MCX 21M GOLD

DRAWN	MARY	DATE	96.07.05
CHECKED	蘇志欣	DATE	
Q.A.	蘇姿潔	DATE	
APPROVAL	徐燦霖	DATE	
REVISION		DATE	

DIMENSIONS ARE IN MILLIMETERS			
UNLESS OTHERWISE SPECIFIED TOLERANCE			
0.5-5=±0.2	120-315=±1		
5-30=±0.4	315-1000=±1.6		
30-120=±0.6	1000-2000=±2.4		
SCALE	4:1	SIZE	A

REVISION	
DESCRIPTION	ENGINEER