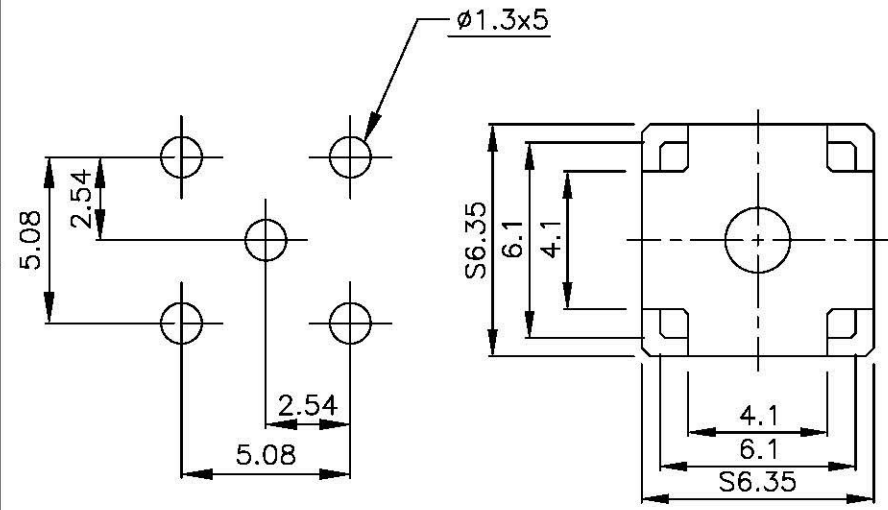
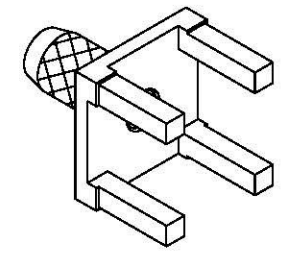
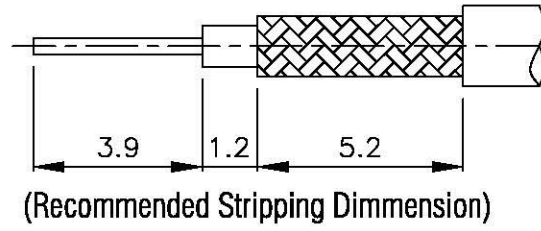
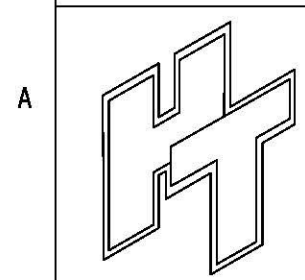
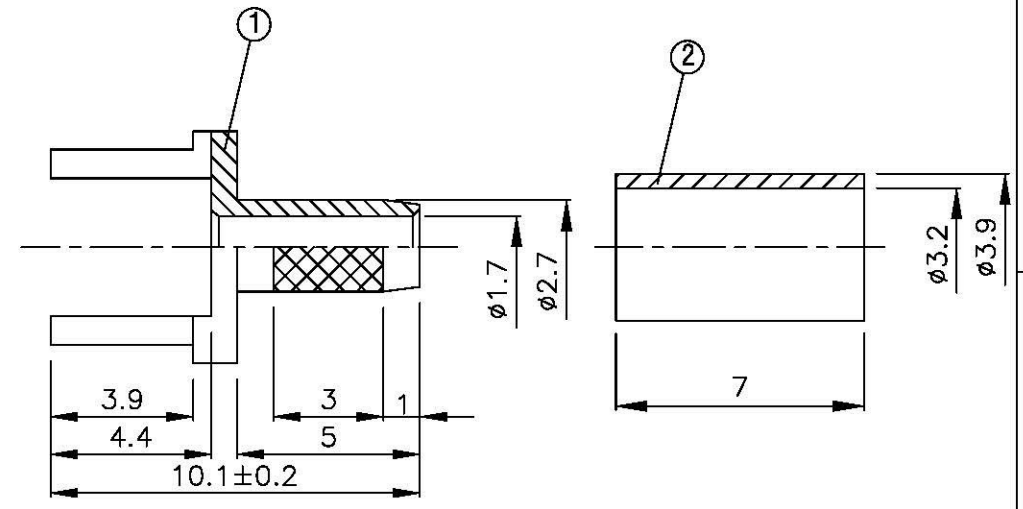


NO	DESCRIPTION	MATERIAL	Q'TY	FINISH	REMARK
1	BODY	BRASS	1	GOLD	B-MCX0527-G
2	RING	BRASS	1	GOLD	R-0001-G



MOUNTING HOLE



All Connectors
 www.allconnectors.de
 Tel.: 0049 711 7000503
 72794 Filderstadt - Germany
 info@allconnectors.de
 Fax: 0049 711 7000504
 Kettnerstr. 25

TITLE **MCX STRAIGHT CRIMP PCB
4-HOLE MOUNT FOR RG-174/U**

PART NO. **MCX-21LV1-GOLD**

DRAWING NO. **MCX 21LV1 GOLD**

DRAWN **MARY** DATE **96.07.05**

CHECKED **蘇志欣** DATE

Q.A. **蘇姿潔** DATE

APPROVAL **徐燦霖** DATE

REVISION DATE

DIMENSIONS ARE IN MILLIMETERS

UNLESS OTHERWISE SPECIFIED TOLERANCE

0.5-5=±0.2	120-315=±1
5-30= ±0.4	315-1000=±1.6
30-120±0.6	1000-2000=±2.4

SCALE **4:1** SIZE **A**

REVISION	
DESCRIPTION	ENGINEER