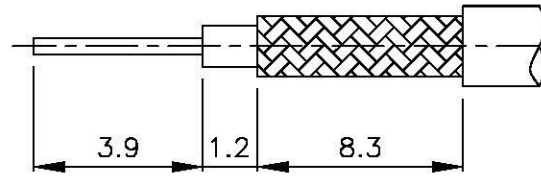
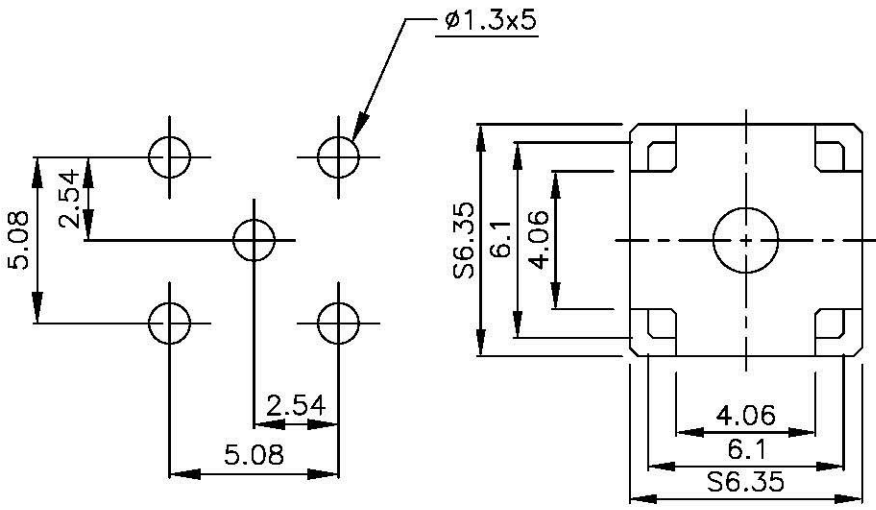
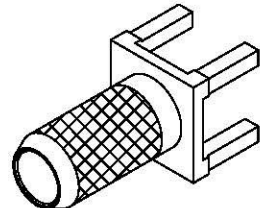


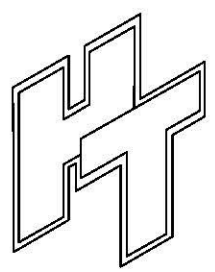
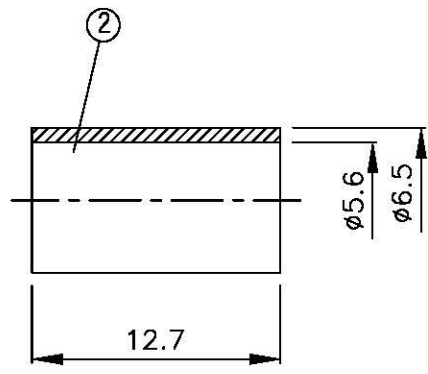
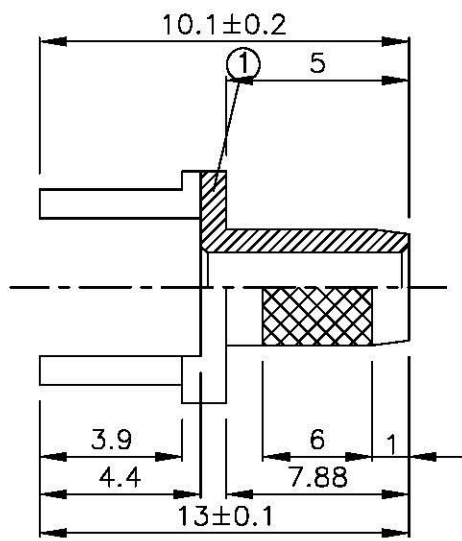
NO	DESCRIPTION	MATERIAL	Q'TY	FINISH	REMARK
1	BODY	BRASS	1	GOLD	B-MCX1278-G
2	RING	BRASS	1	GOLD	R-0007-G



(Recommended Stripping Dimension)



MOUNTING HOLE



All Connectors
 www.allconnectors.de
 Tel.: 0049 711 7003504
 81798 Hiltensbrunn, Germany
 info@allconnectors.de
 Fax: 0049 711 7003504
 Germany
TITLE MCX STRAIGHT CRIMP PCB
 4-HOLE MOUNT FOR RG-58/U
PART NO. MCX-21F-GOLD
DRAWING NO. MCX 21F GOLD

DRAWN MARY
DATE 97.04.30
CHECKED 蘇志欣
DATE 97.04.30
Q.A. 蘇姿潔
DATE
APPROVAL 徐燦霖
DATE
REVISION
DATE

DIMENSIONS ARE IN MILLIMETERS
UNLESS OTHERWISE SPECIFIED TOLERANCE
 0.5-5=±0.2 120-315=±1
 5-30=±0.4 315-1000=±1.6
 30-120±0.6 1000-2000=±2.4
SCALE 4:1 **SIZE** A

REVISION	
DESCRIPTION	ENGINEER