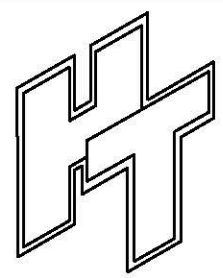
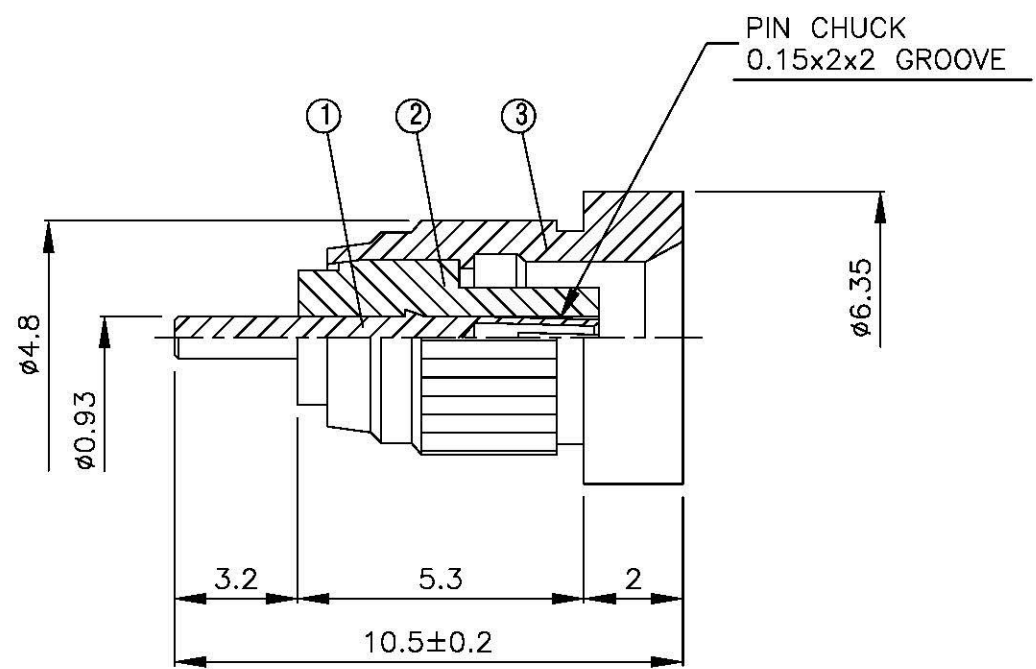
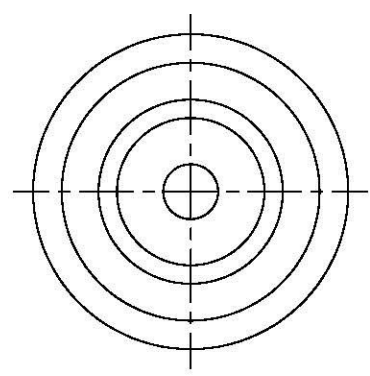
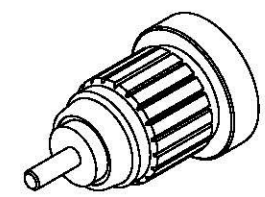


NO	DESCRIPTION	MATERIAL	Q'TY	FINISH	REMARK
1	PIN	BE CU	1	GOLD	P-MCX0284-G
2	INSULATION	TEFLON	1	TEFLON	I-0199T
3	BODY	BRASS	1	GOLD	B-MCX0864-G



All Connectors
 www.allconnectors.de info@allconnectors.de
 Tel: 3015 711 703503 Fax: 3015 711 703504
 55794 Rillwadedell - Germany Kellereiweg 25

TITLE **MCX PRESS-IN JACK RECEPTACLE**

PART NO. **MCX-20V5-TGG**

DRAWING NO. **MCX 20V5 TGG**

DRAWN **MARY** DATE **96.04.30**

CHECKED **蘇姿潔** DATE

Q.A. **馮健華** DATE

APPROVAL **徐燦霖** DATE

REVISION DATE

DIMENSIONS ARE IN MILLIMETERS

UNLESS OTHERWISE SPECIFIED TOLERANCE

0.5-5=±0.2 120-315=±1

5-30=±0.4 315-1000=±1.6

30-120±0.6 1000-2000=±2.4

SCALE **4:1** SIZE **A**

REVISION

DESCRIPTION	ENGINEER