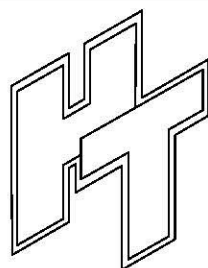
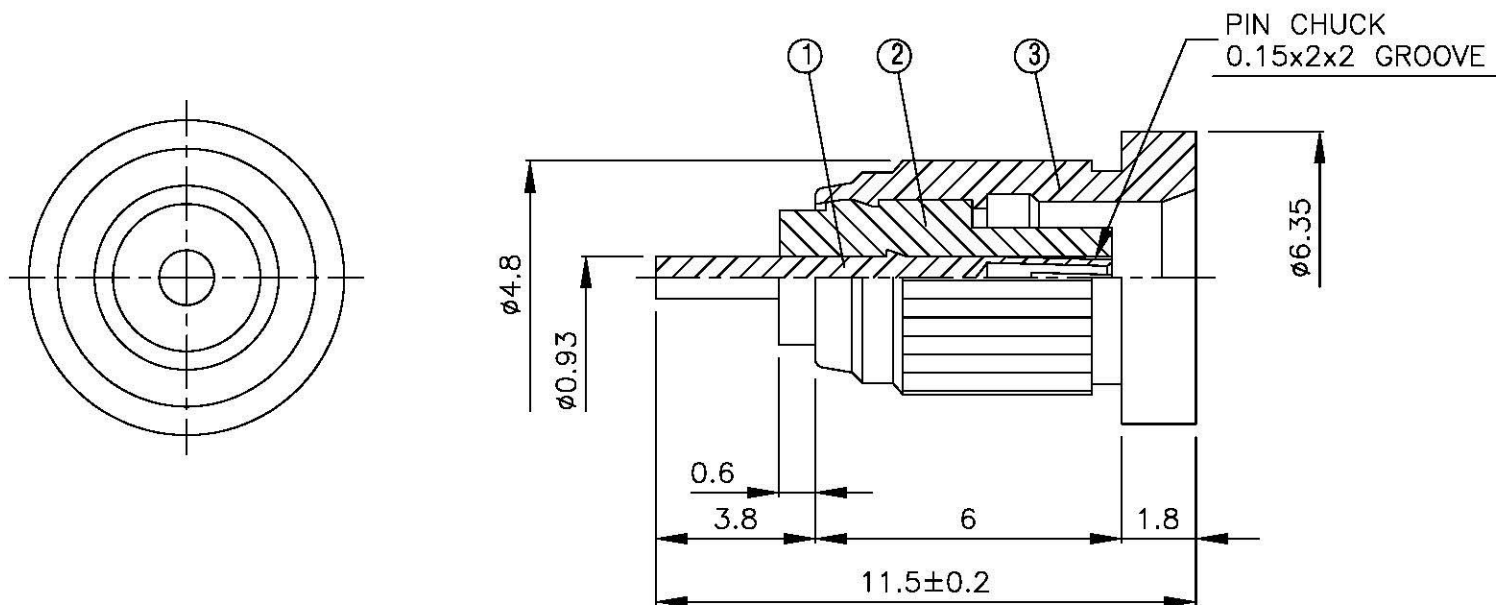
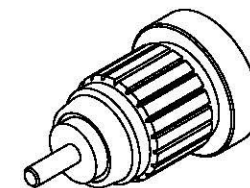


NO	DESCRIPTION	MATERIAL	Q'TY	FINISH	REMARK
1	PIN	BE CU	1	GOLD	P-MCX0329-G
2	INSULATION	TEFLON	1	TEFLON	I-0239T
3	BODY	BRASS	1	GOLD	B-MCX0488-G



All Connectors
 www.allconnectors.de info@allconnectors.de
 Tel.: 0542 711 7002503 Fax: 0542 711 7002504
 Jönköping, Sweden Germany Kempten, Germany

TITLE MCX PRESS-IN JACK RECEPTACLE

PART NO. MCX-20-TGG

DRAWING NO. MCX 20 TGG

DRAWN MARY DATE 96.04.30

CHECKED 黄巧君 DATE

Q.A. 蘇姿潔 DATE

APPROVAL 徐燦霖 DATE

REVISION DATE

DIMENSIONS ARE IN MILLIMETERS

UNLESS OTHERWISE SPECIFIED TOLERANCE
 0.5-5=±0.2 120-315=±1
 5-30=±0.4 315-1000=±1.6
 30-120±0.6 1000-2000=±2.4

SCALE 4:1 SIZE A

REVISION

DESCRIPTION ENGINEER