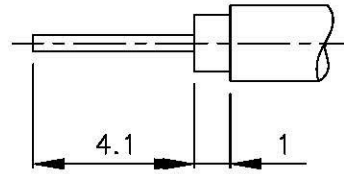
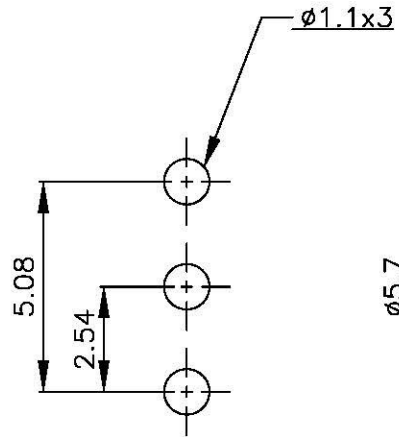
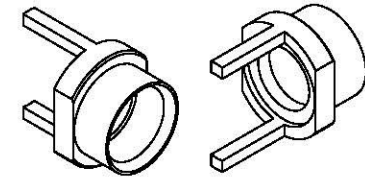


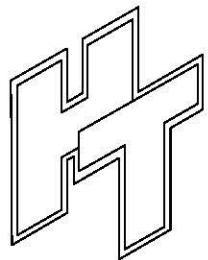
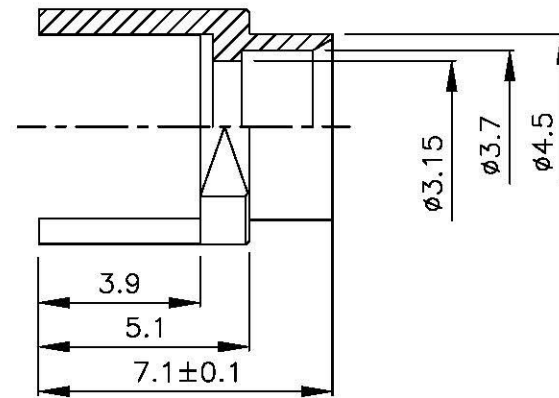
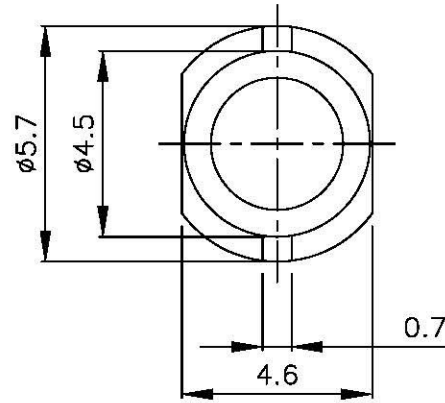
NO	DESCRIPTION	MATERIAL	Q'TY	FINISH
1	BODY	BRASS	1	GOLD



(Recommended Stripping Dimension)



MOUNTING HOLE



**All Connectors**

www.allconnectors.de  
Tel.: 0049 711 7069703  
70794 Hildesheim, Germany

info@allconnectors.de  
Fax: 0049 711 7069704  
Kallmeyerstr. 25

TITLE MCX STRAIGHT SOLDER PCB  
2-HOLE MOUNT FOR RG-402(.141)

PART NO. MCX-19V2-GOLD

DRAWING NO. MCX 19V2 GOLD

DRAWN MARY DATE 96.07.05

CHECKED 蘇志欣 DATE

Q.A. 蘇姿潔 DATE

APPROVAL 徐燦霖 DATE

REVISION DATE

DIMENSIONS ARE IN MILLIMETERS

UNLESS OTHERWISE SPECIFIED  
TOLERANCE

0.5-5=±0.2 120-315=±1

5-30=±0.4 315-1000=±1.6

30-120±0.6 1000-2000=±2.4

SCALE 4:1 SIZE A

REVISION

DESCRIPTION ENGINEER

D

C

B

A

D

C

B

A

4

3

2

1