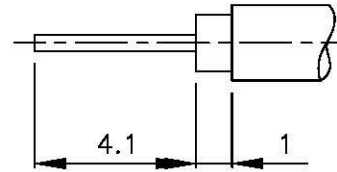
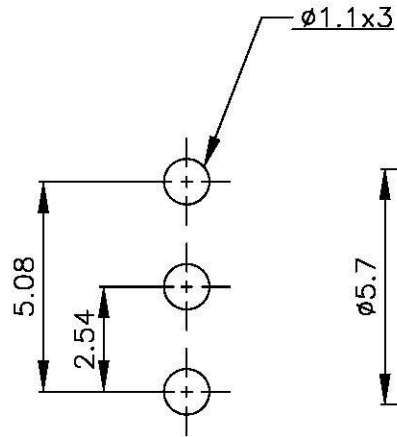
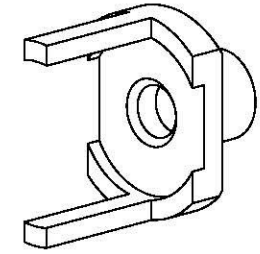


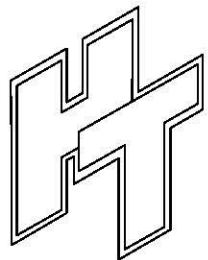
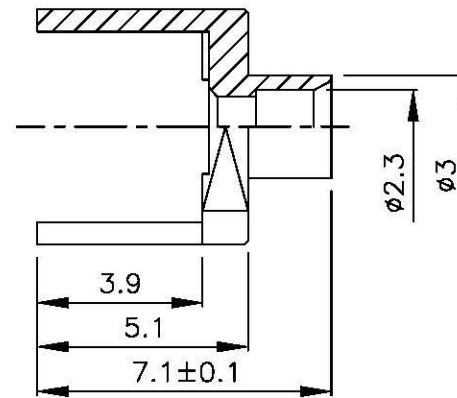
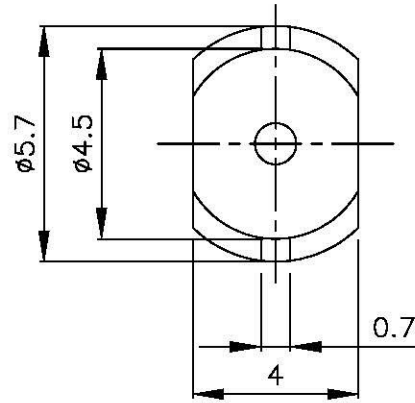
NO	DESCRIPTION	MATERIAL	Q'TY	FINISH	REMARK
1	BODY	BRASS	1	GOLD	B-MCX0517-G



(Recommended Stripping Dimension)



MOUNTING HOLE



All Connectors

www.allconnectors.de
Tel.: 0049 711 7009508
All Connectors - Germany

info@allconnectors.de
Fax: 0049 711 7009504
Rheinstraße 26

TITLE MCX STRAIGHT SOLDER PCB
2-HOLE MOUNT FOR RG-405(.085)

PART NO. MCX-19V1-GOLD

DRAWING NO. MCX 19V1 GOLD

DRAWN MARY DATE 96.07.06

CHECKED 蘇志欣 DATE

Q.A. 蘇姿潔 DATE

APPROVAL 徐燦霖 DATE

REVISION DATE

DIMENSIONS ARE IN MILLIMETERS

UNLESS OTHERWISE SPECIFIED
TOLERANCE

0.5-5=±0.2 120-315=±1

5-30=±0.4 315-1000=±1.6

30-120±0.6 1000-2000=±2.4

SCALE 4:1 SIZE A

REVISION

DESCRIPTION ENGINEER

D

C

B

A

D

C

B

A

4

3

2

1