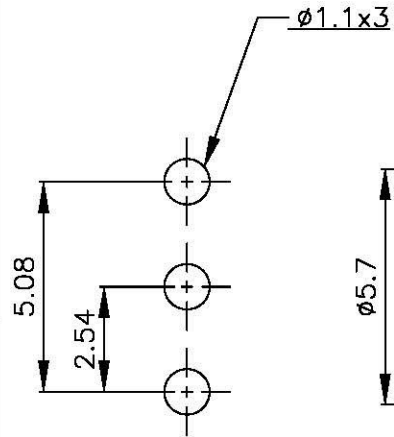
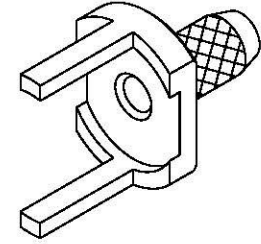
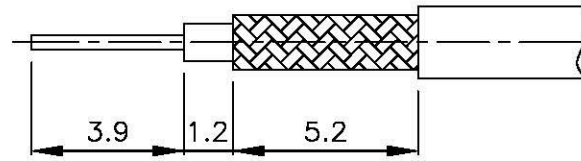
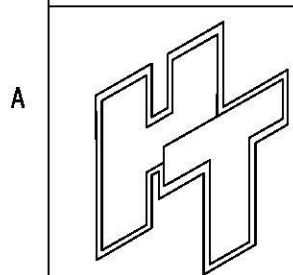
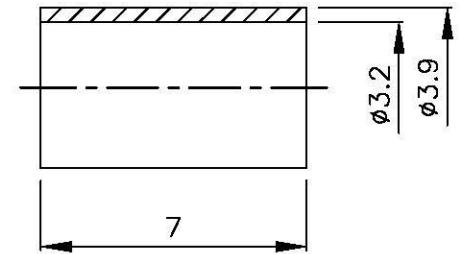
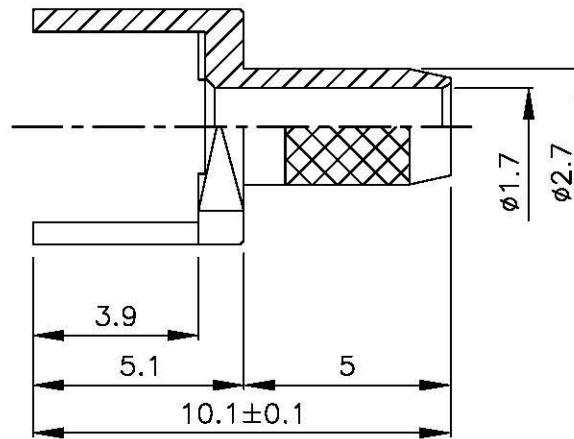
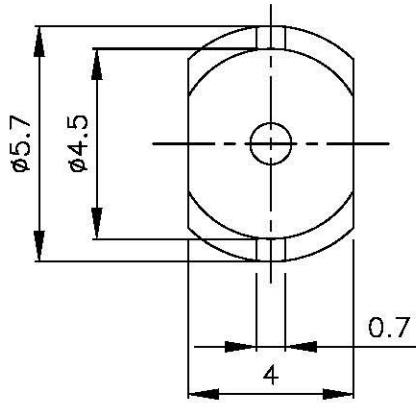


| NO | DESCRIPTION | MATERIAL | Q'TY | FINISH | REMARK |
|----|-------------|----------|------|--------|-------------|
| 1 | BODY | BRASS | 1 | GOLD | B-MCX0533-G |
| 2 | RING | BRASS | 1 | GOLD | R-0001-G |



MOUNTING HOLE



All Connectors

www.allconnectors.com
Tel.: 0049 733 7002500
70794 Biberstadt, Germany

info@allconnectors.com
Fax: 0049 733 7002504
Kontaktcenter: 24

TITLE MCX STRAIGHT CRIMP PCB
2-HOLE MOUNT FOR RG-316/U

PART NO. MCX-19LV1-GOLD

DRAWING NO. MCX 19LV1 GOLD

DRAWN MARY DATE 96.07.06

CHECKED 蘇志欣 DATE

Q.A. 蘇姿潔 DATE

APPROVAL 徐燦霖 DATE

REVISION DATE

DIMENSIONS ARE IN MILLIMETERS

UNLESS OTHERWISE SPECIFIED
TOLERANCE
0.5-5=±0.2 120-315=±1
5-30=±0.4 315-1000=±1.6
30-120±0.6 1000-2000=±2.4

SCALE 4:1 SIZE A

REVISION

DESCRIPTION ENGINEER