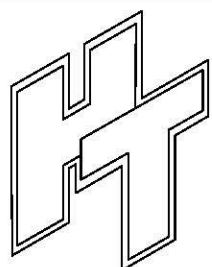
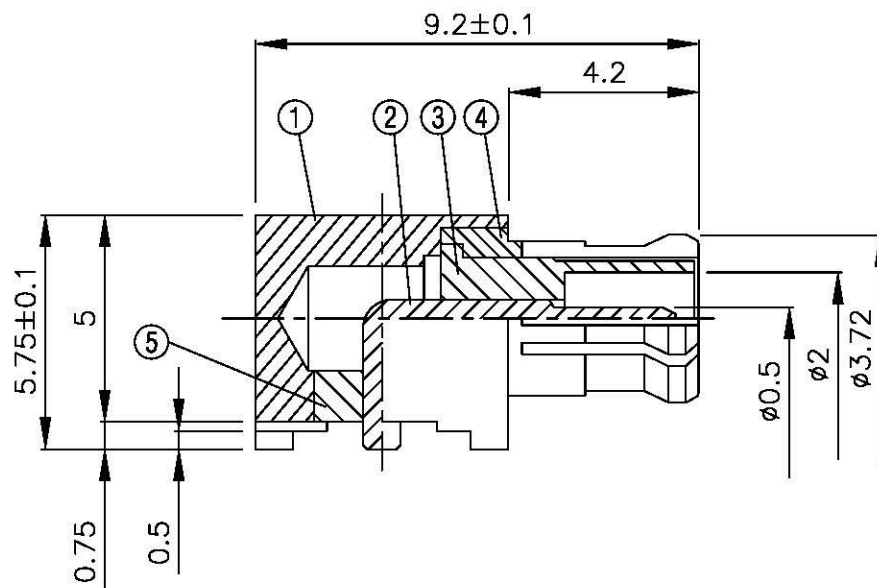
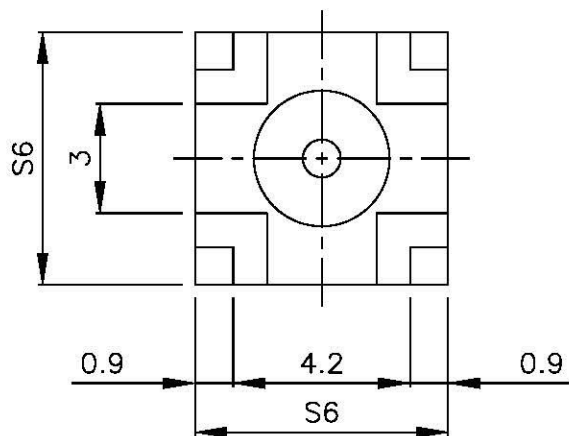
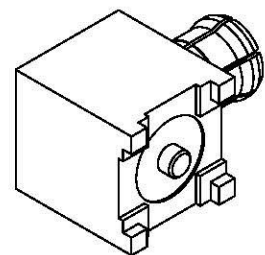
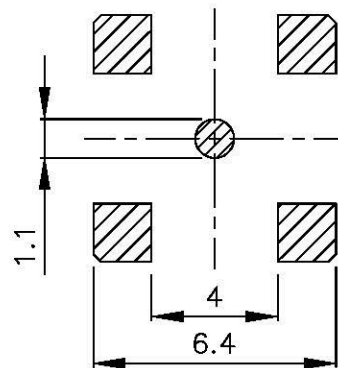


NO	DESCRIPTION	MATERIAL	Q'TY	FINISH	REMARK
1	BODY 1	BRASS	1	NICKEL	B-MCX0316-N
2	PIN	BRASS	1	GOLD	P-MCX0194-G
3	INSULATION 1	TEFLON	1	TEFLON	I-0079T
4	BODY 2	BE CU	1	NICKEL	B-MCX0288-N
5	INSULATION 2	TEFLON	1	TEFLON	I-0071T



All Connectors

www.allconnectors.de info@allconnectors.de
 TEL: 0049 311 308934 FAX: 0049 311 308934
 76724 Hilderstadt - Germany Kettelerstr. 25

TITLE **MCX ANGLE MALE PCB MOUNT**

PART NO. **MCX-18V5-TGN**

DRAWING NO. **MCX 18V5 TGN**

DRAWN	MARY	DATE	96.04.30
CHECKED	黄巧君	DATE	
Q.A.	蘇姿潔	DATE	
APPROVAL	徐燦霖	DATE	
REVISION		DATE	

DIMENSIONS ARE IN MILLIMETERS			
UNLESS OTHERWISE SPECIFIED TOLERANCE			
0.5-5=±0.2	120-315=±1		
5-30=±0.4	315-1000=±1.6		
30-120±0.6	1000-2000=±2.4		
SCALE	4:1	SIZE	A

REVISION	
DESCRIPTION	ENGINEER