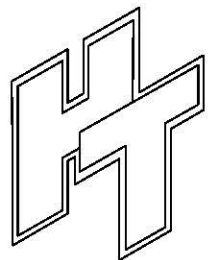
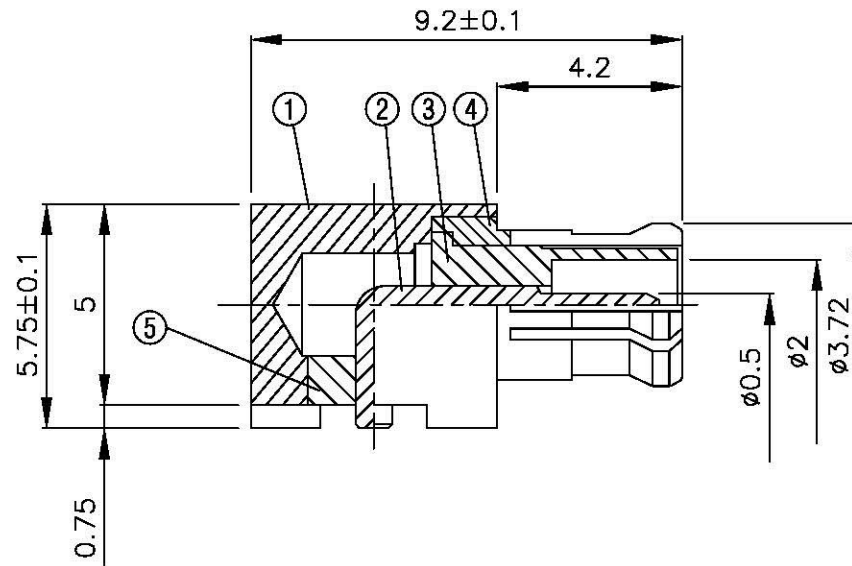
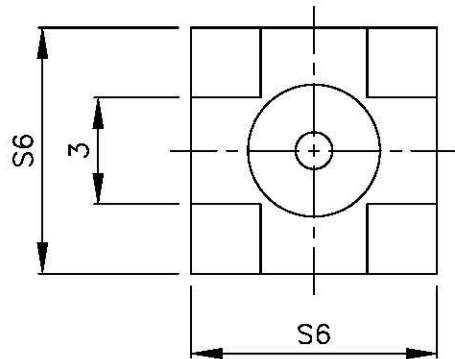
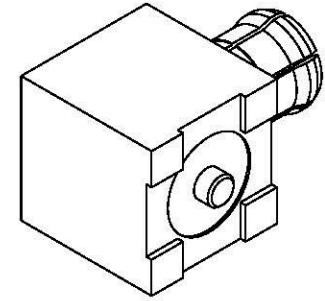
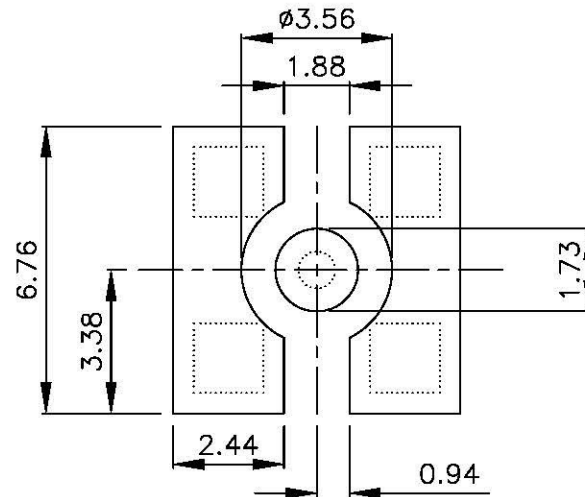


NO	DESCRIPTION	MATERIAL	Q'TY	FINISH	REMARK
1	BODY 1	BRASS	1	NICKEL	B-MCX0315-N
2	PIN	BRASS	1	GOLD	P-MCX0192-G
3	INSULATION 1	TEFLON	1	TEFLON	I-0079T
4	BODY 2	BE CU	1	NICKEL	B-MCX0288-N
5	INSULATION 2	TEFLON	1	TEFLON	I-0071T



**All Connectors**

www.allconnectors.com  
Tel: 0049 711 409508  
70794 Hilderstadt - Germany

info@allconnectors.com  
Fax: 0049 711 409509  
Kiefernstr. 25

TITLE  
**MCX ANGLE MALE PCB MOUNT**

PART NO.  
**MCX-18V4-TGN**

DRAWING NO.  
**MCX 18V4 TGN**

DRAWN **MARY** DATE **96.04.30**

CHECKED **黃巧君** DATE

Q.A. **蘇姿潔** DATE

APPROVAL **徐燦霖** DATE

REVISION DATE

DIMENSIONS ARE IN MILLIMETERS

UNLESS OTHERWISE SPECIFIED  
TOLERANCE

0.5-5=±0.2 120-315=±1

5-30=±0.4 315-1000=±1.6

30-120±0.6 1000-2000=±2.4

SCALE 4:1 SIZE A

REVISION

DESCRIPTION ENGINEER