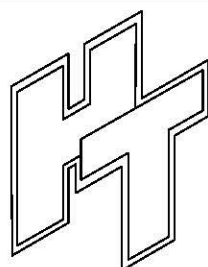
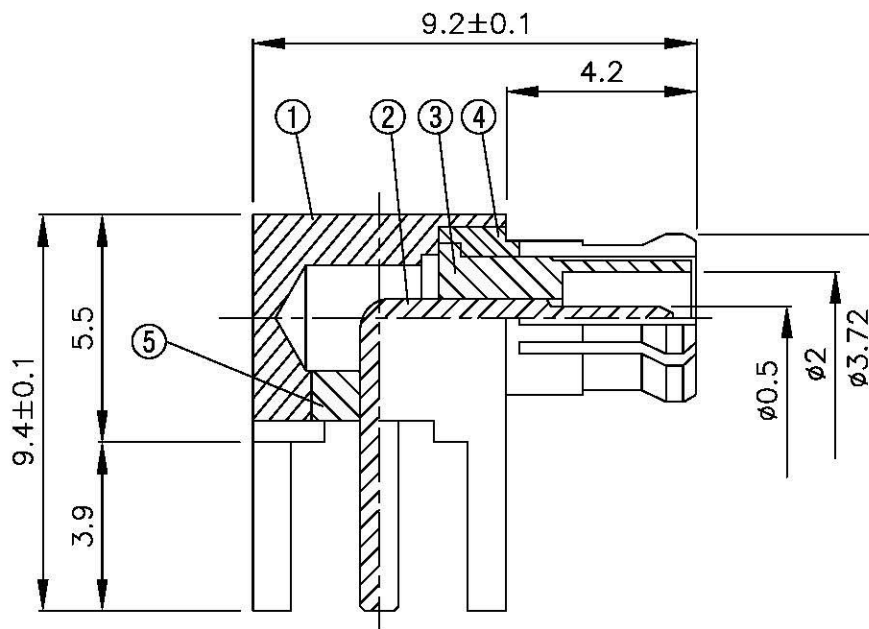
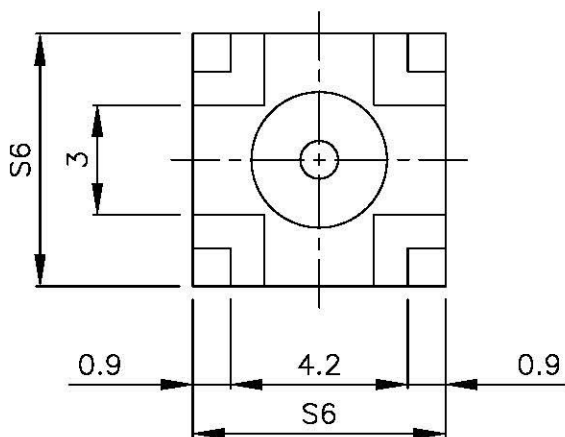
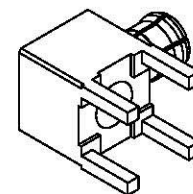
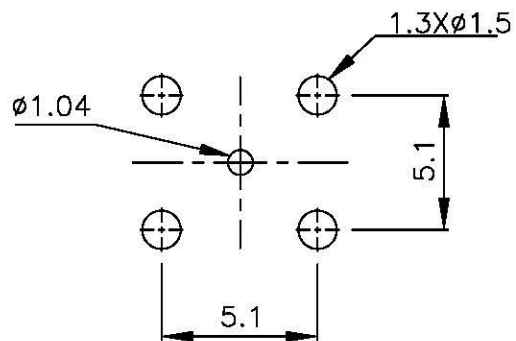


NO	DESCRIPTION	MATERIAL	Q'TY	FINISH	REMARK
1	BODY 1	BRASS	1	NICKEL	B-MCX0282-N
2	PIN	BRASS	1	GOLD	P-MCX0192-G
3	INSULATION 1	TEFLON	1	TEFLON	I-0079T
4	BODY 2	BE CU	1	NICKEL	B-MCX0288-N
5	INSULATION 2	TEFLON	1	TEFLON	I-0071T



All Connectors

www.allconnectors.de info@allconnectors.de
Tel.: 0245 711 700593 Fax: 0245 711 700504
70734 Filderstadt - Germany Kettelerstr. 23

TITLE **MCX ANGLE MALE PCB MOUNT**

PART NO. **MCX-18-TGN**

DRAWING NO. **MCX 18 TGN**

DRAWN **MARY** DATE **96.04.30**

CHECKED **黄巧君** DATE

Q.A. **蘇姿潔** DATE

APPROVAL **徐燦霖** DATE

REVISION DATE

DIMENSIONS ARE IN MILLIMETERS

UNLESS OTHERWISE SPECIFIED TOLERANCE

0.5-5=±0.2	120-315=±1
5-30=±0.4	315-1000=±1.6
30-120±0.6	1000-2000=±2.4

SCALE **4:1** SIZE **A**

REVISION

DESCRIPTION	ENGINEER