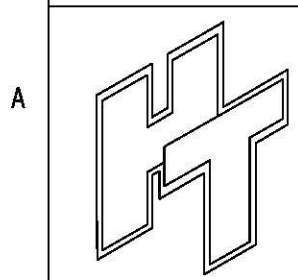
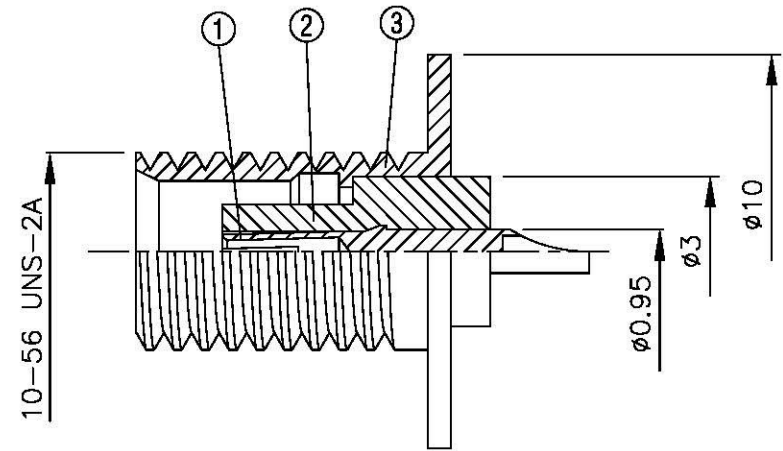
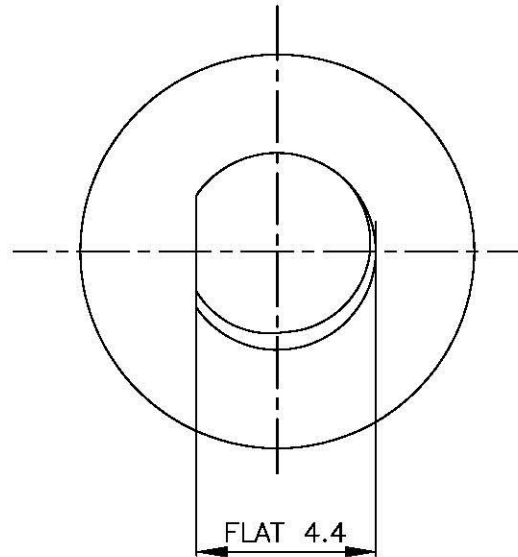
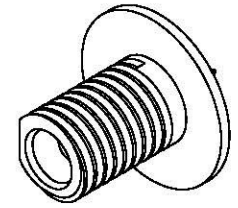


NO	DESCRIPTION	MATERIAL	Q'TY	FINISH
1	PIN	BE CU	1	GOLD
2	INSULATION	TEFLON	1	TEFLON
3	BODY	BRASS	1	GOLD



**All Connectors**  
 www.allconnectors.de info@allconnectors.de  
 Tel: 0049 431 200380 Fax: 0049 431 200301  
 92754 Ellersdorf - Germany Kellernstraße, 25

TITLE FRONT MOUNT BULKHEAD JACK RECEPTACLE

PART NO. MCX-17V4-TGG

DRAWING NO. MCX 17V4 TGG

DRAWN MARY

CHECKED 黄巧君

Q.A. 蘇姿潔

APPROVAL 徐燦霖

REVISION

DATE 96.04.30

DATE

DATE

DATE

DATE

DIMENSIONS ARE IN MILLIMETERS

UNLESS OTHERWISE SPECIFIED TOLERANCE

0.5-5=±0.2	120-315=±1
5-30=±0.4	315-1000=±1.6
30-120±0.6	1000-2000=±2.4

SCALE 4:1 SIZE A

REVISION	
DESCRIPTION	ENGINEER