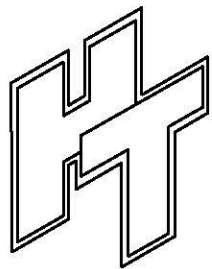
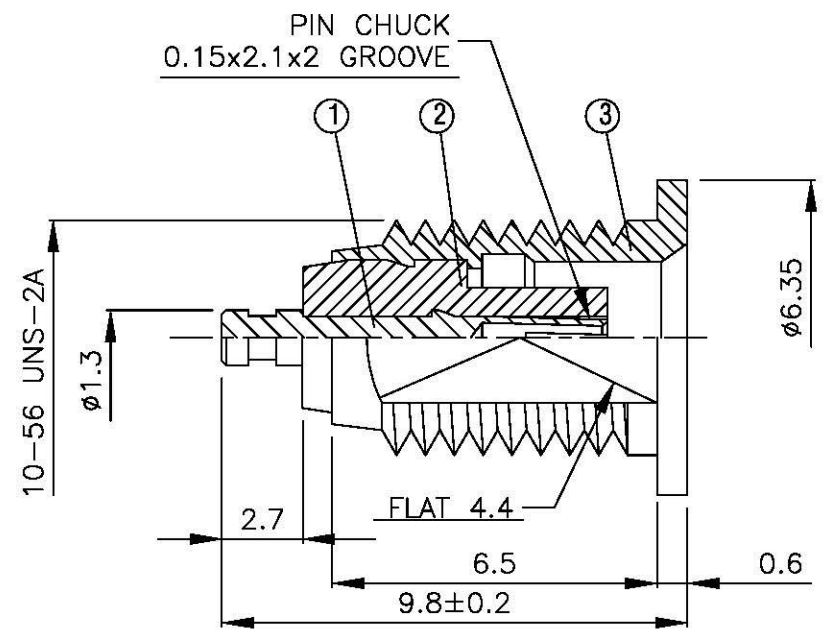
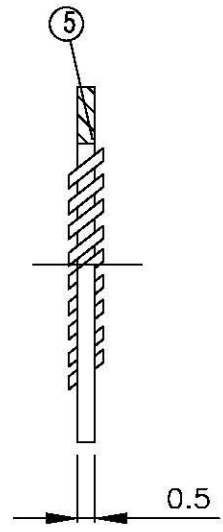
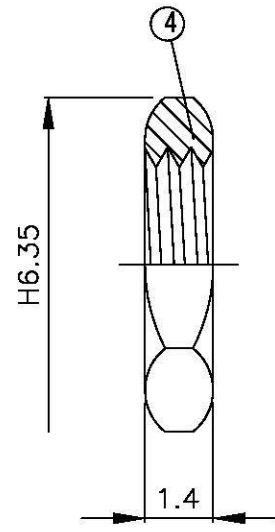
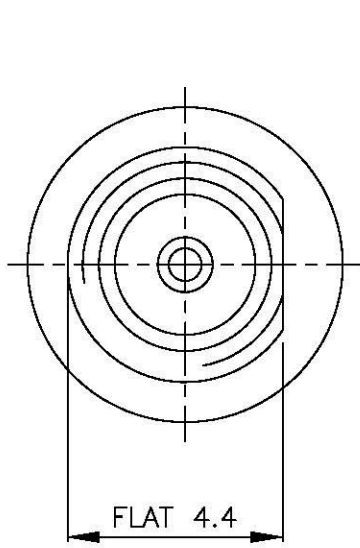
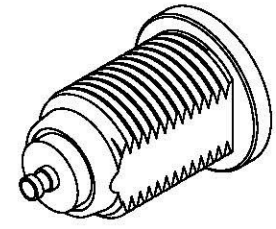


NO	DESCRIPTION	MATERIAL	Q'TY	FINISH	REMARK
1	PIN	BE CU	1	GOLD	P-MCX0465-G
2	INSULATION	TEFLON	1	TEFLON	I-0199T
3	BODY	BRASS	1	GOLD	B-MCX0432-G
4	NUT	BRASS	1	GOLD	N-0012-G
5	WASHER	BRASS	1	GOLD	W-0009-G



**All Connectors**  
 www.allconnectors.de  
 info@allconnectors.de  
 Tel.: 0049 711 7009203  
 Fax: 0049 711 7009204  
 72798 Ulm/versul - Germany

TITLE FRONT MOUNT BULKHEAD JACK RECEPTACLE  
 PART NO. MCX-17-TGG  
 DRAWING NO. MCX 17 TGG

DRAWN MARY DATE 96.04.30  
 CHECKED 黄巧君 DATE  
 Q.A. 蘇姿潔 DATE  
 APPROVAL 徐燦霖 DATE  
 REVISION DATE

DIMENSIONS ARE IN MILLIMETERS  
 UNLESS OTHERWISE SPECIFIED TOLERANCE  
 0.5-5=±0.2 120-315=±1  
 5-30=±0.4 315-1000=±1.6  
 30-120±0.6 1000-2000=±2.4  
 SCALE 4:1 SIZE A

REVISION	
DESCRIPTION	ENGINEER