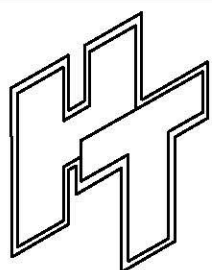
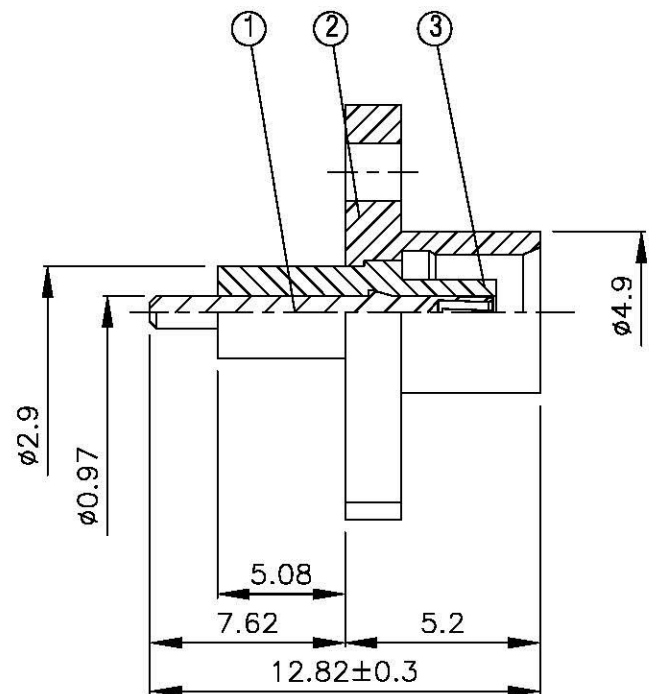
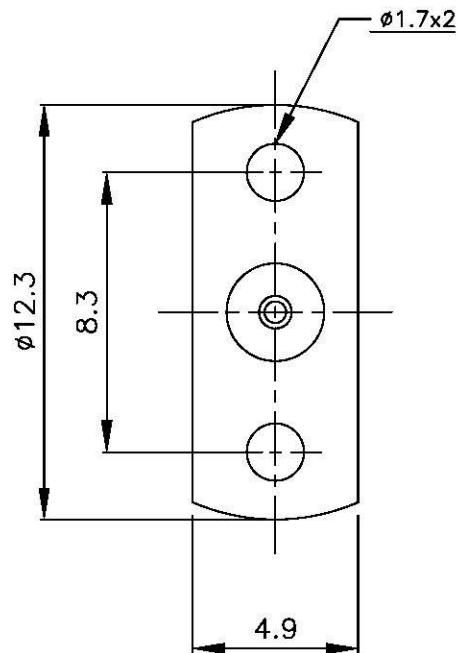
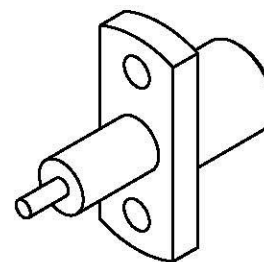


NO	DESCRIPTION	MATERIAL	Q'TY	FINISH	REMARK
1	PIN	BE CU	1	GOLD	P-MCX0699-G
2	BODY1	BRASS	1	NICKEL	B-MCX0434-G
3	INSULATION	TEFLON	1	TEFLON	I-0487T



All Connectors
 www.allconnectors.de info@allconnectors.de
 Tel: 0049 711 7040503 Fax: 0049 711 7020904
 72734 Hilstedt - Germany Kettelerstr. 25

TITLE **MCX STRAIGHT JACK 2 HOLES RECEPTACLE**

PART NO. **MCX-16V6-TGG**

DRAWING NO. **MCX-16V6-TGG**

DRAWN **MARY** DATE **96.04.30**

CHECKED **黄巧君** DATE

Q.A. **蘇姿潔** DATE

APPROVAL **徐燦霖** DATE

REVISION DATE

DIMENSIONS ARE IN MILLIMETERS

UNLESS OTHERWISE SPECIFIED TOLERANCE

0.5-5=±0.2	120-315=±1
5-30=±0.4	315-1000=±1.6
30-120±0.6	1000-2000=±2.4

SCALE **4:1** SIZE **A**

REVISION	
DESCRIPTION	ENGINEER