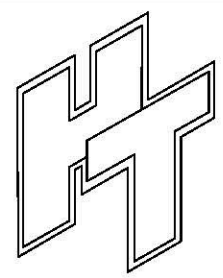
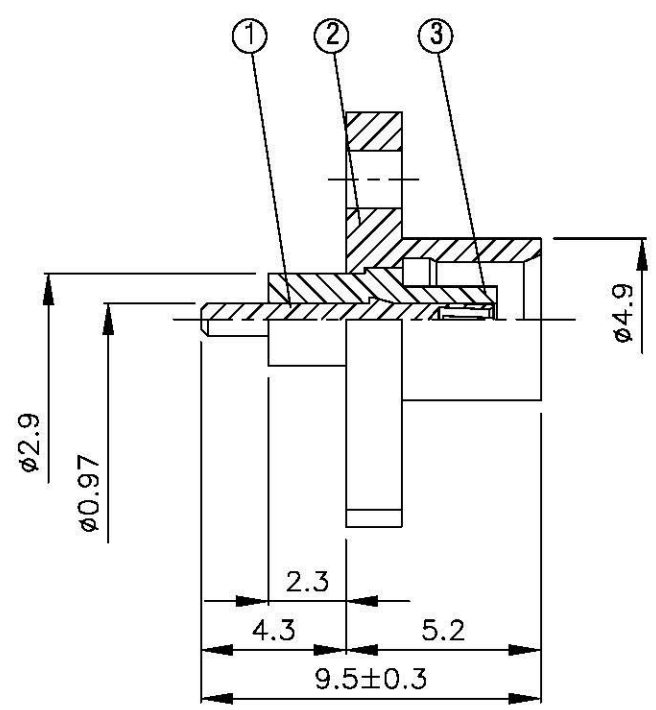
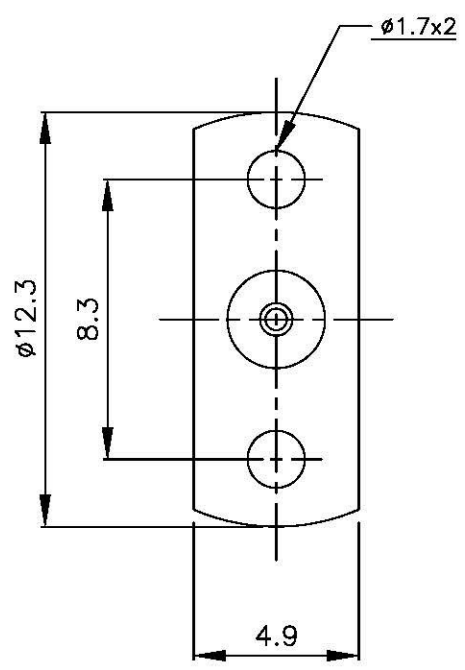
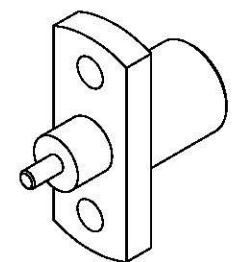


NO	DESCRIPTION	MATERIAL	Q'TY	FINISH	REMARK
1	PIN	BE CU	1	GOLD	P-MCX0287-G
2	BODY1	BRASS	1	NICKEL	B-MCX0434-G
3	INSULATION	TEFLON	1	TEFLON	I-0205T



**All Connectors**  
 www.allconnectors.de info@allconnectors.de  
 Tel: 0049 711 700503 Fax: 0049 711 700504  
 70754 Filderstadt - Germany Kettenstr. 25

**TITLE** MCX STRAIGHT JACK 2 HOLES RECEPTACLE

**PART NO.** MCX-16V4-TGG

**DRAWING NO.** MCX-16V4-TGG

**DRAWN** MARY **DATE** 96.04.30

**CHECKED** 黄巧君 **DATE**

**Q.A.** 蘇姿潔 **DATE**

**APPROVAL** 徐燦霖 **DATE**

**REVISION** **DATE**

**DIMENSIONS ARE IN MILLIMETERS**

**UNLESS OTHERWISE SPECIFIED TOLERANCE**

0.5-5=±0.2	120-315=±1
5-30=±0.4	315-1000=±1.6
30-120±0.6	1000-2000=±2.4

**SCALE** 4:1 **SIZE** A

**REVISION**

DESCRIPTION	ENGINEER