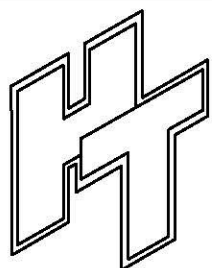
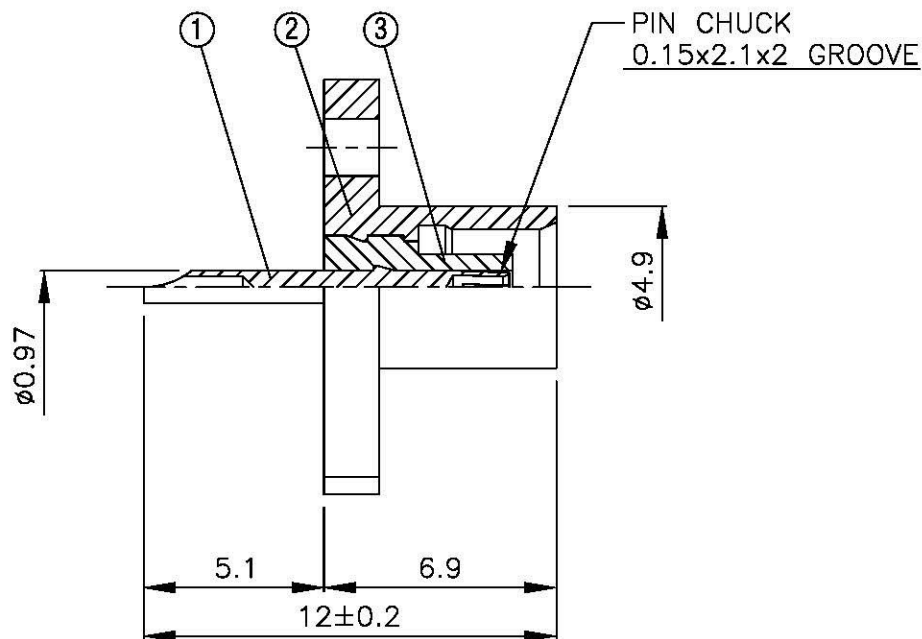
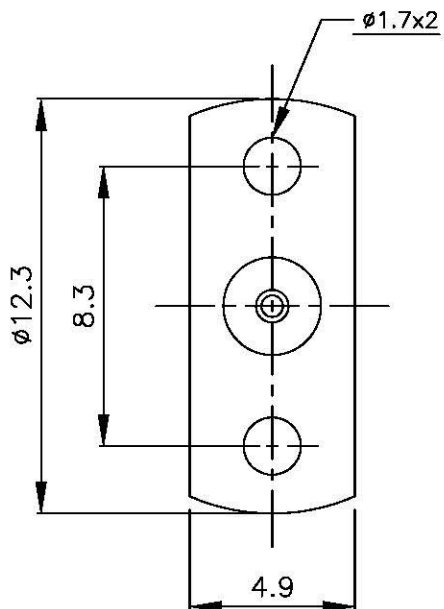
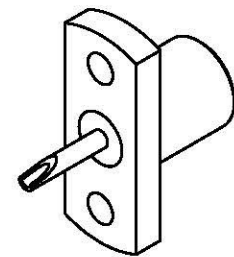


NO	DESCRIPTION	MATERIAL	Q'TY	FINISH	REMARK
1	PIN	BE CU	1	GOLD	P-MCX0286-G
2	BODY	BRASS	1	GOLD	B-MCX0433-G
3	INSULATION	TEFLON	1	TEFLON	I-0204T



All Connectors
 0049 711 7009521
 0049 711 7009522
 0049 711 7009523

TITLE MCX STRAIGHT JACK 2 HOLES RECEPTACLE

PART NO. MCX-16-TGG

DRAWING NO. MCX-16-TGG

DRAWN	MARY	DATE	96.04.30
CHECKED	黄巧君	DATE	
Q.A.	蘇姿潔	DATE	
APPROVAL	徐燦霖	DATE	
REVISION		DATE	

DIMENSIONS ARE IN MILLIMETERS			
UNLESS OTHERWISE SPECIFIED TOLERANCE			
0.5-5=±0.2	120-315=±1		
5-30=±0.4	315-1000=±1.6		
30-120±0.6	1000-2000=±2.4		
SCALE	4:1	SIZE	A

REVISION	
DESCRIPTION	ENGINEER