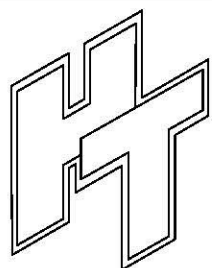
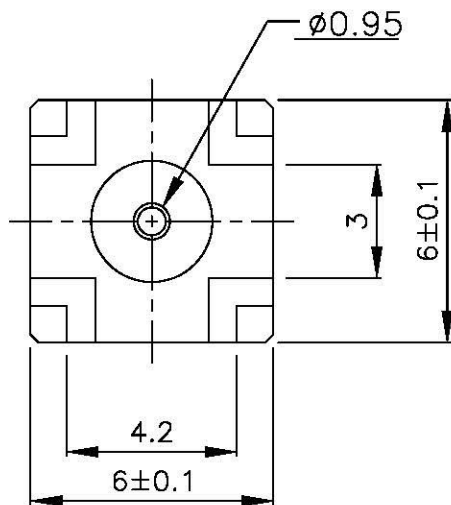
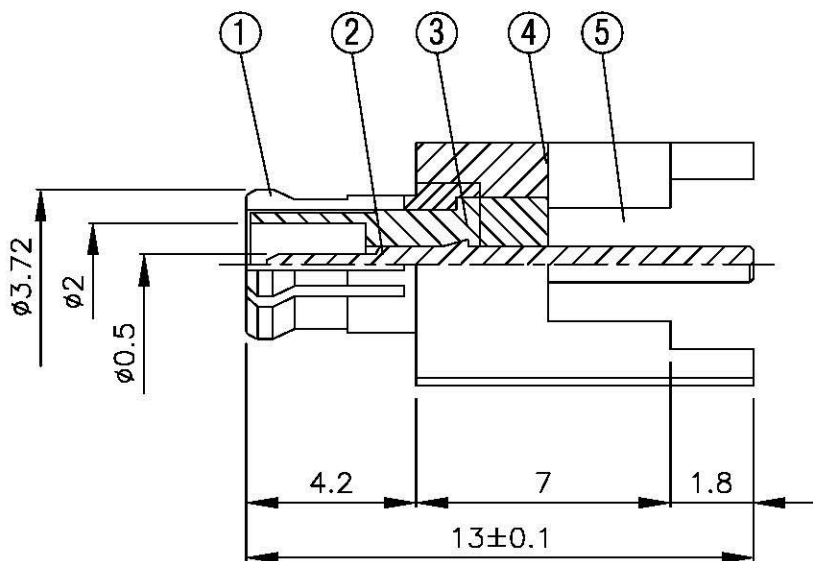
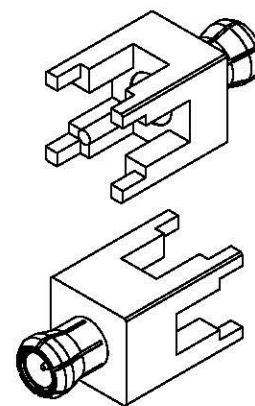
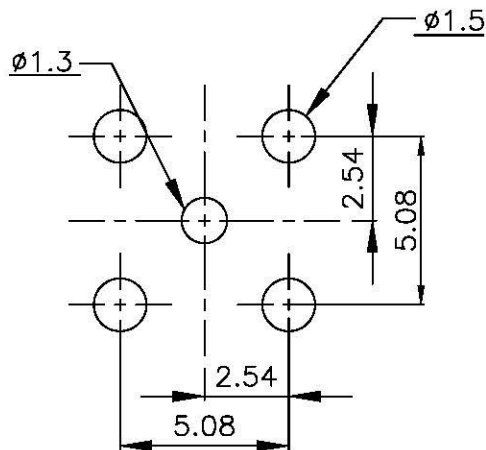


NO	DESCRIPTION	MATERIAL	Q'TY	FINISH	REMARK
1	BODY 1	BE CU	1	GOLD	B-MCX0288-G
2	PIN	BRASS	1	GOLD	P-MCX0534-G
3	INSULATION 1	TEFLON	1	TEFLON	I-0079T
4	BODY 2	BRASS	1	GOLD	B-MCX0761-G
5	INSULATION 2	TEFLON	1	TEFLON	I-0369T



All Connectors
 www.allconnectors.de info@allconnectors.com
 Tel: 0049 711 700597 Fax: 0049 711 700504
 20707 Filderstadt - Germany

TITLE **MCX MALE PC MOUNT**

PART NO. **MCX-15V7-TGG**

DRAWING NO. **MCX 15V7 TGG**

DRAWN **MARY** DATE **96.05.01**

CHECKED **黄巧君** DATE

Q.A. **蘇姿潔** DATE

APPROVAL **徐燦霖** DATE

REVISION DATE

DIMENSIONS ARE IN MILLIMETERS

UNLESS OTHERWISE SPECIFIED TOLERANCE
 0.5-5=±0.2 120-315=±1
 5-30=±0.4 315-1000=±1.6
 30-120±0.6 1000-2000=±2.4

SCALE **4:1** SIZE **A**

REVISION

DESCRIPTION ENGINEER