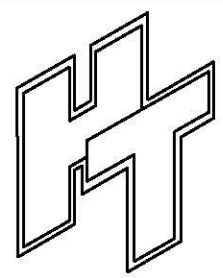
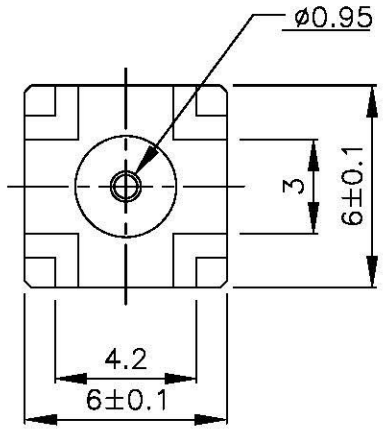
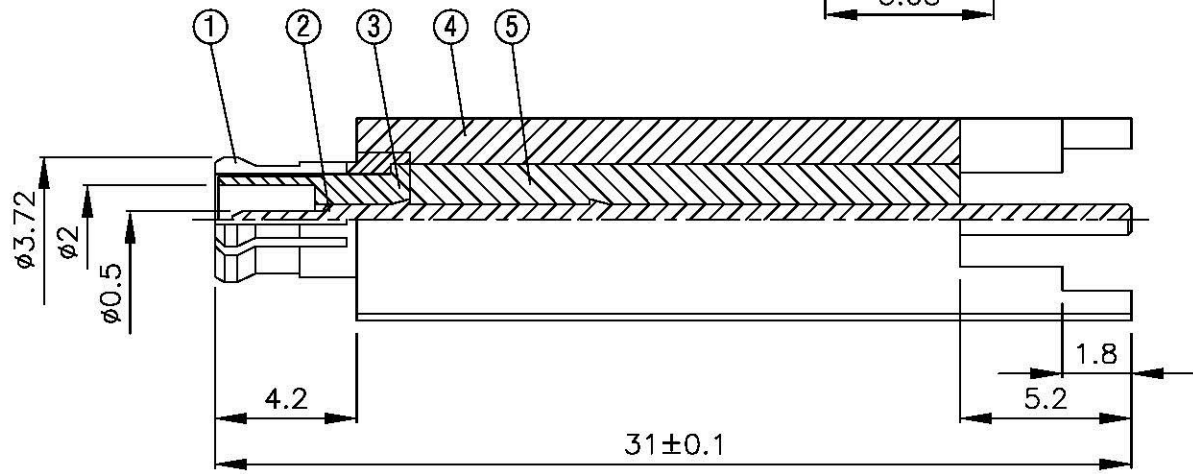
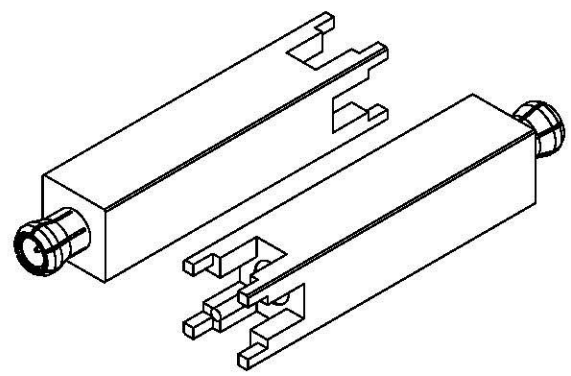
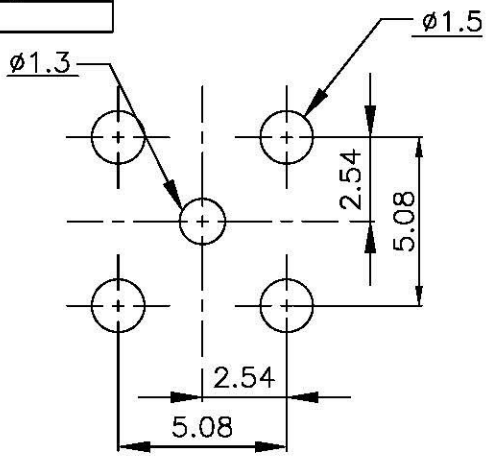


NO	DESCRIPTION	MATERIAL	Q'TY	FINISH	REMARK
1	BODY 1	BE CU	1	GOLD	B-MCX0288-G
2	PIN	BRASS	1	GOLD	P-MCX0535-G
3	INSULATION 1	TEFLON	1	TEFLON	I-0079T
4	BODY 2	BRASS	1	GOLD	B-MCX0760-G
5	INSULATION 2	TEFLON	1	TEFLON	I-0368T



All Connectors
 www.allconnectors.de info@allconnectors.de
 Tel.: +49 360 211 22900 Fax: +49 360 211 202581
 30709 Elberstadt - Germany Kettelerstr. 25

TITLE **MCX MALE PC MOUNT**
 PART NO. **MCX-15V6-TGG**
 DRAWING NO. **MCX 15V6 TGG**

DRAWN	MARY	DATE	96.05.01
CHECKED	黄巧君	DATE	
Q.A.	蘇姿潔	DATE	
APPROVAL	徐燦霖	DATE	
REVISION		DATE	

DIMENSIONS ARE IN MILLIMETERS
 UNLESS OTHERWISE SPECIFIED TOLERANCE
 0.5-5=±0.2 120-315=±1
 5-30=±0.4 315-1000=±1.6
 30-120±0.6 1000-2000=±2.4
 SCALE 4:1 SIZE A

REVISION	
DESCRIPTION	ENGINEER