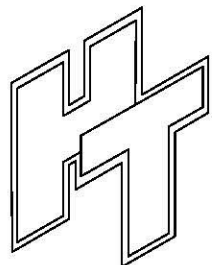
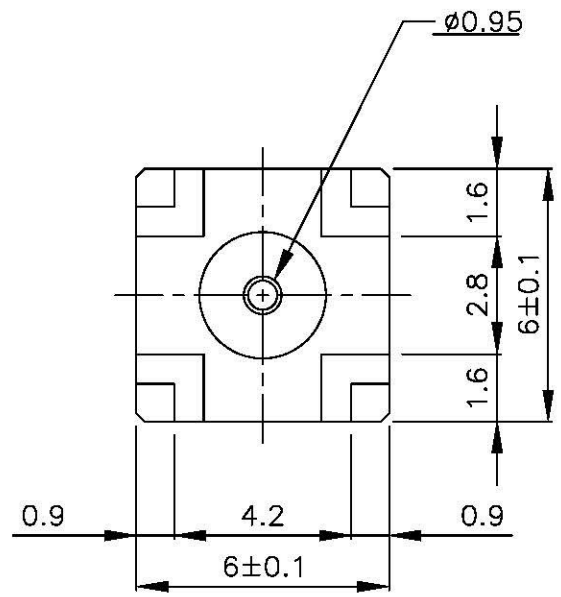
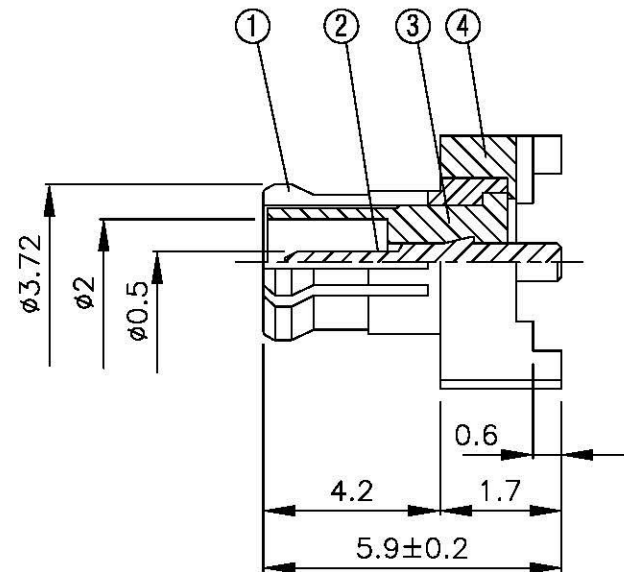
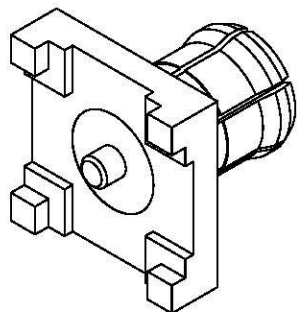
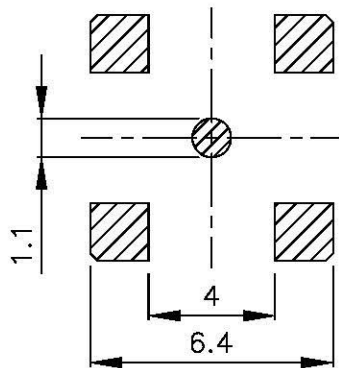


NO	DESCRIPTION	MATERIAL	Q'TY	FINISH	REMARK
1	BODY 1	BE CU	1	GOLD	B-MCX0288-G
2	PIN	BRASS	1	GOLD	P-MCX0246-G
3	INSULATION 1	TEFLON	1	TEFLON	I-0079T
4	BODY 2	BRASS	1	GOLD	B-MCX0381-G



All Connectors
 www.allconnectors.de
 Tel.: 0642 711 700350
 70731 Filderstadt - Germany
 info@allconnectors.de
 Fax: 0642 711 700504
 Kettelerstr. 25

TITLE **MCX MALE PC MOUNT**
 PART NO. **MCX-15V4-TGG**
 DRAWING NO. **MCX 15V4 TGG**

DRAWN MARY DATE 96.04.30
 CHECKED 黄巧君 DATE
 Q.A. 蘇姿潔 DATE
 APPROVAL 徐燦霖 DATE
 REVISION DATE

DIMENSIONS ARE IN MILLIMETERS
 UNLESS OTHERWISE SPECIFIED TOLERANCE
 0.5-5=±0.2 120-315=±1
 5-30=±0.4 315-1000=±1.6
 30-120±0.6 1000-2000=±2.4
 SCALE 4:1 SIZE A

REVISION
 DESCRIPTION ENGINEER