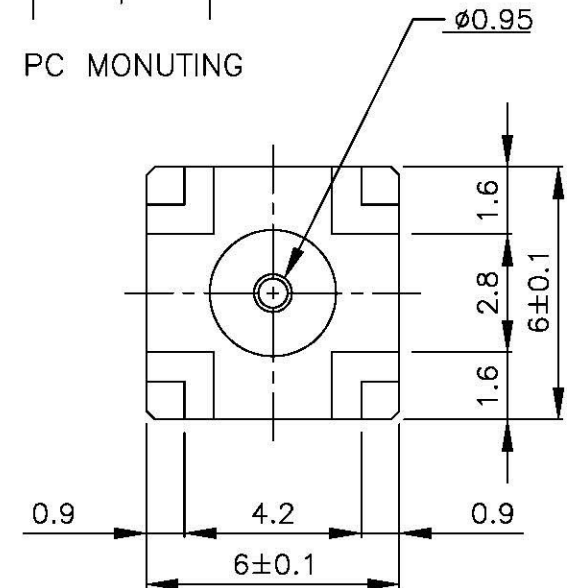
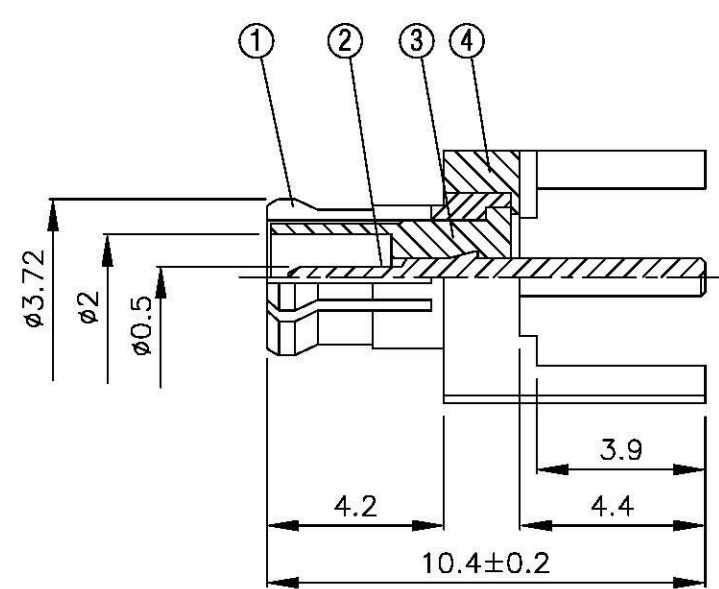
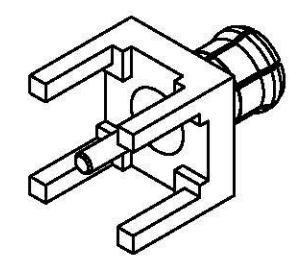
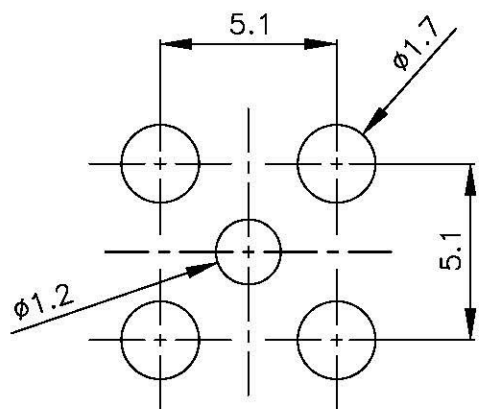
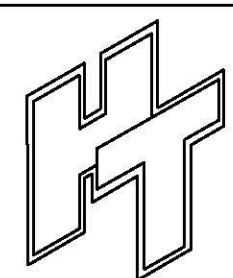


NO	DESCRIPTION	MATERIAL	Q'TY	FINISH	REMARK
1	BODY 1	BE CU	1	GOLD	B-MCX0288-G
2	PIN	BRASS	1	GOLD	P-MCX0121-G
3	INSULATION 1	TEFLON	1	TEFLON	I-0079T
4	BODY 2	BRASS	1	GOLD	B-MCX0169-G



PC MOUNTING



**All Connectors**  
 www.allconnectors.de  
 Tel.: 0649 711 7065503  
 79721 Ulm/Verstadt - Germany  
 info@allconnectors.de  
 Fax: 0649 711 7065504  
 keller@allconnectors.de

TITLE **MCX MALE PC MOUNT**  
 PART NO. **MCX-15-TGG**  
 DRAWING NO. **MCX 15 TGG**

DRAWN MARY DATE 95.11.27  
 CHECKED 黄巧君 DATE  
 Q.A. 蘇姿潔 DATE  
 APPROVAL 徐燦霖 DATE  
 REVISION DATE

DIMENSIONS ARE IN MILLIMETERS  
 UNLESS OTHERWISE SPECIFIED TOLERANCE  
 0.5-5=±0.2 120-315=±1  
 5-30=±0.4 315-1000=±1.6  
 30-120±0.6 1000-2000=±2.4  
 SCALE 4:1 SIZE A

REVISION	
DESCRIPTION	ENGINEER