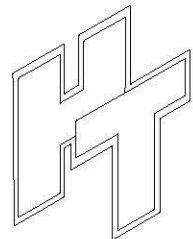
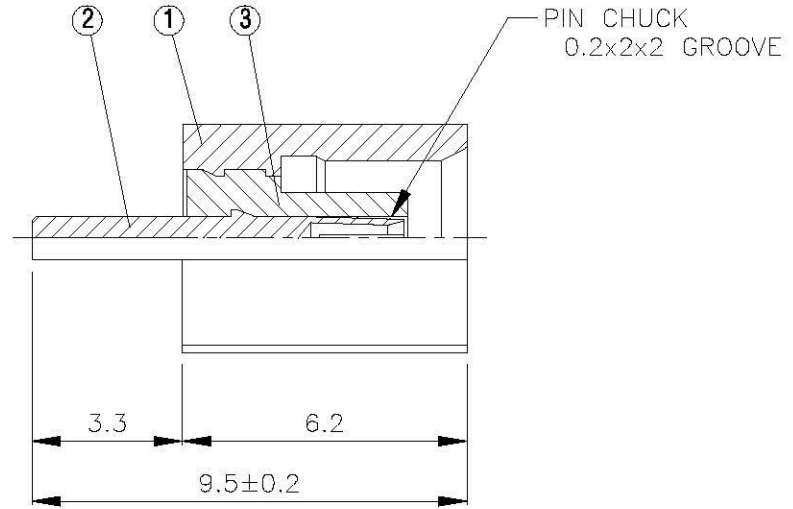
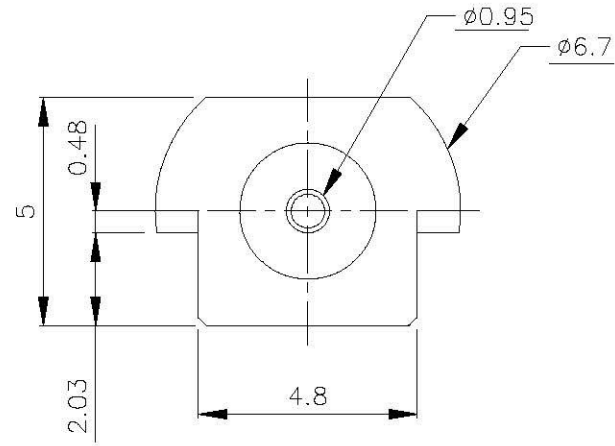
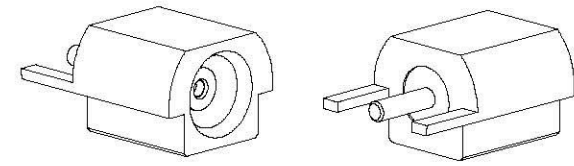


NO	DESCRIPTION	MATERIAL	Q'TY	FINISH	REMARK
1	BODY	BRASS	1	GOLD	B-MCX0097-G
2	PIN	BE CU	1	GOLD	P-MCX0287-G
3	INSULATION	TEFLON	1	TEFLON	I-0240T



**All Connectors**

www.allconnectors.de  
 info@allconnectors.de  
 Tel: +49 41 202414  
 20740 Hildesheim - Germany  
 Fax: +49 41 202404  
 kottmerstr. 21

DRAWN	MARY	DATE	96.04.30
CHECKED	黄巧君	DATE	96.04.30
Q.A.	蘇姿潔	DATE	
APPROVAL	徐燦霖	DATE	
REVISION		DATE	

TITLE **MCX FEMALE END LAUNCH RECEPTACLE**

PART NO. **MCX-14-TGG**

DRAWING NO. **MCX 14 TGG**

DIMENSIONS ARE IN MILLIMETERS			
UNLESS OTHERWISE SPECIFIED TOLERANCE			
0.5-5=±0.2	120-315=±1		
5-30=±0.4	315-1000=±1.6		
30-120=±0.6	1000-2000=±2.4		
SCALE	4:1	SIZE	A

REVISION	
DESCRIPTION	ENGINEER