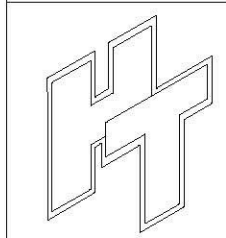
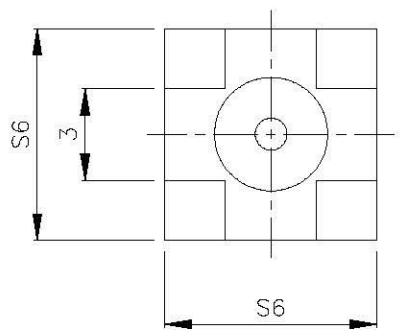
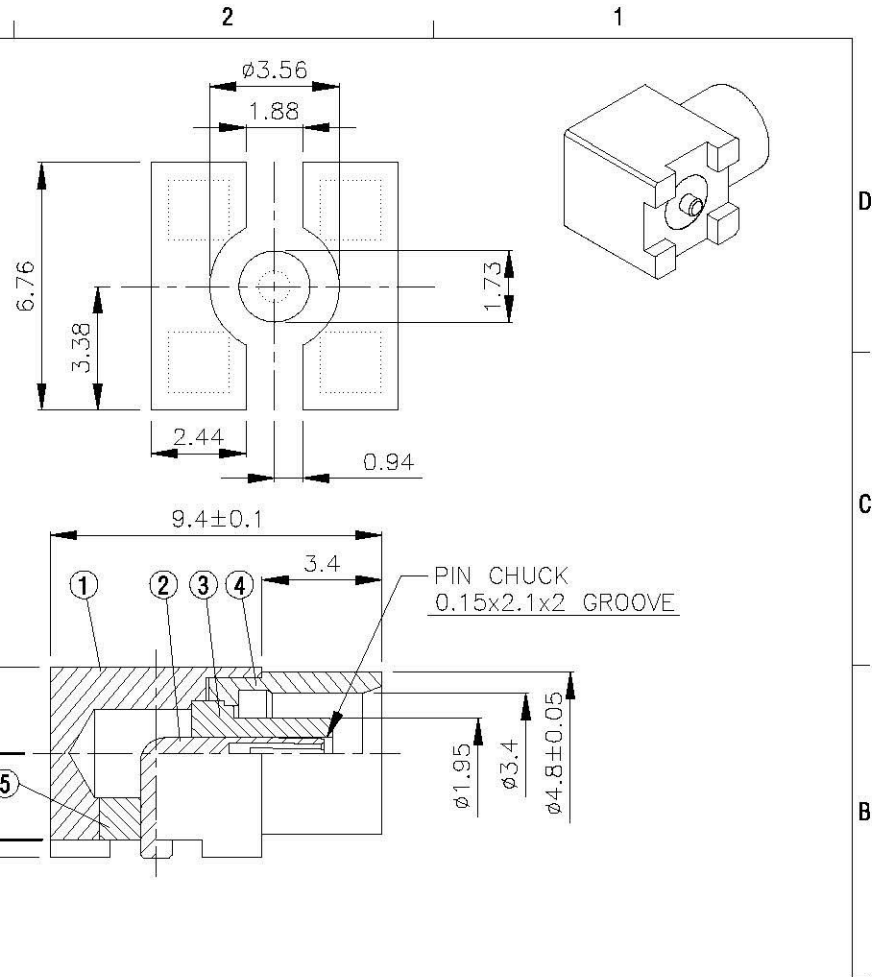


NO	DESCRIPTION	MATERIAL	Q'TY	FINISH	REMARK
1	BODY 1	BRASS	1	GOLD	B-MCX0315-G
2	PIN	BE CU	1	GOLD	P-MCX0191-G
3	INSULATION 1	TEFLON	1	TEFLON	I-0005T
4	BODY 2	BRASS	1	GOLD	B-MCX0283-G
5	INSULATION 2	TEFLON	1	TEFLON	I-0071T



All Connectors
 www.allconnectors.de info@allconnectors.de
 Tel: 0049 211 4004411 Fax: 0049 211 4004410
 20294 Ellersdorf, Germany Kellwegstr. 25

TITLE
MCX ANGLE FEMALE PCB MOUNT

PART NO.
MCX-11V4-TGG

DRAWING NO.
MCX 11V4 TGG

DRAWN MARY **DATE** 96.04.30

CHECKED 蘇志欣 **DATE** 96.04.30

Q.A. 蘇姿潔 **DATE**

APPROVAL 徐燦霖 **DATE**

REVISION **DATE**

DIMENSIONS ARE IN MILLIMETERS

UNLESS OTHERWISE SPECIFIED TOLERANCE

0.5-5 = ±0.2	120-315 = ±1
5-30 = ±0.4	315-1000 = ±1.6
30-120 = ±0.6	1000-2000 = ±2.4

SCALE 4:1 **SIZE** A

REVISION	
DESCRIPTION	ENGINEER

D
C
B
A

D
C
B
A

4 3 2 1