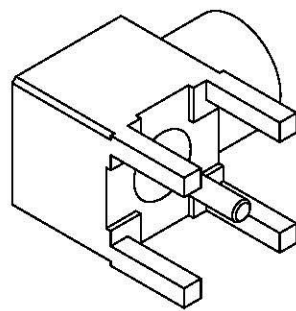
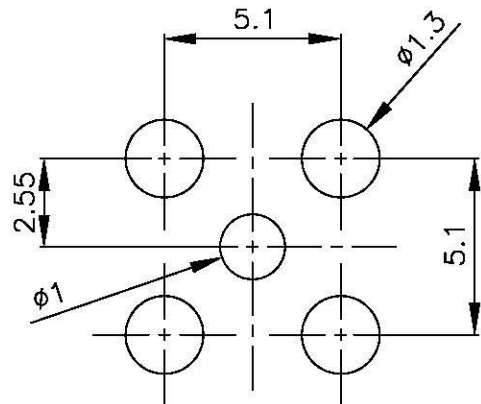
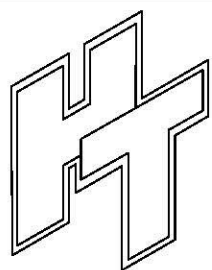
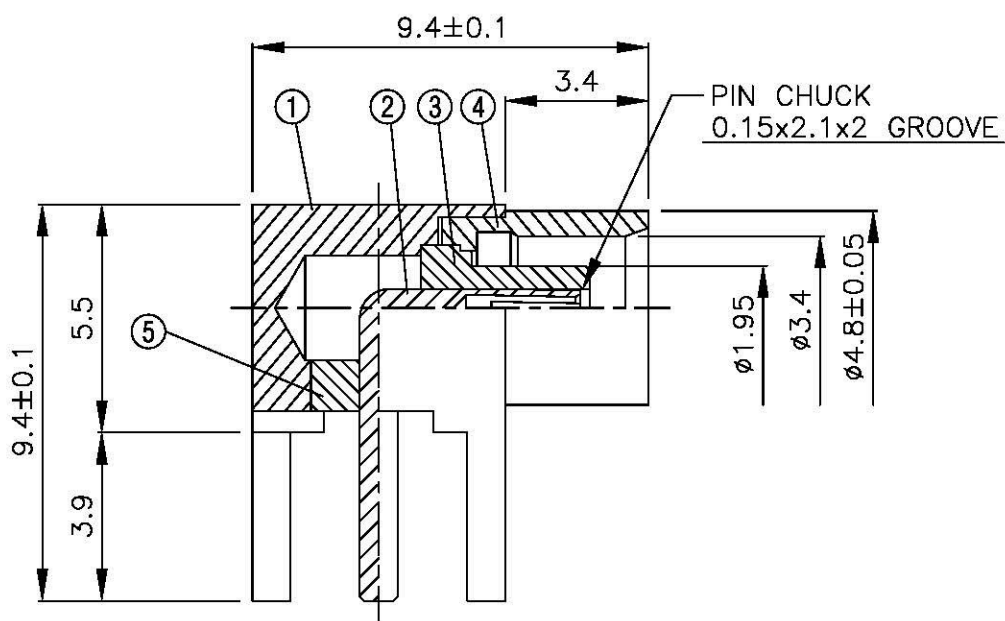
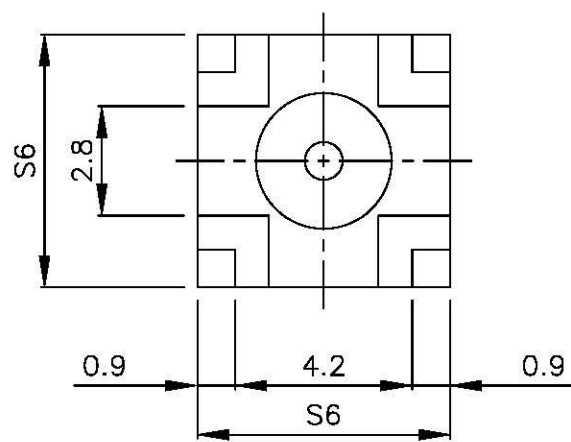


NO	DESCRIPTION	MATERIAL	Q'TY	FINISH	REMARK
1	BODY 1	BRASS	1	GOLD	B-MCX0282-G
2	PIN	BE CU	1	GOLD	P-MCX0010-G
3	INSULATION 1	TEFLON	1	TEFLON	I-0005T
4	BODY 2	BRASS	1	GOLD	B-MCX0283-G
5	INSULATION 2	TEFLON	1	TEFLON	I-0071T



PC MONUTING



All Connectors
 www.allconnectors.de
 Tel.: 0549 731 700590
 info@allconnectors.de
 Fax: 0549 731 700594
 Kirtorfstr. 10
 41064 Kirtorf, Germany

TITLE
MCX ANGLE FEMALE PCB MOUNT

PART NO.
MCX-11-TGG

DRAWING NO.
MCX 11 TGG

DRAWN MARY **DATE** 96.04.30

CHECKED 黄巧君 **DATE**

Q.A. 蘇姿潔 **DATE**

APPROVAL 徐燦霖 **DATE**

REVISION **DATE**

DIMENSIONS ARE IN MILLIMETERS

UNLESS OTHERWISE SPECIFIED TOLERANCE

0.5-5=±0.2	120-315=±1
5-30=±0.4	315-1000=±1.6
30-120±0.6	1000-2000=±2.4

SCALE 4:1 **SIZE** A

REVISION	
DESCRIPTION	ENGINEER